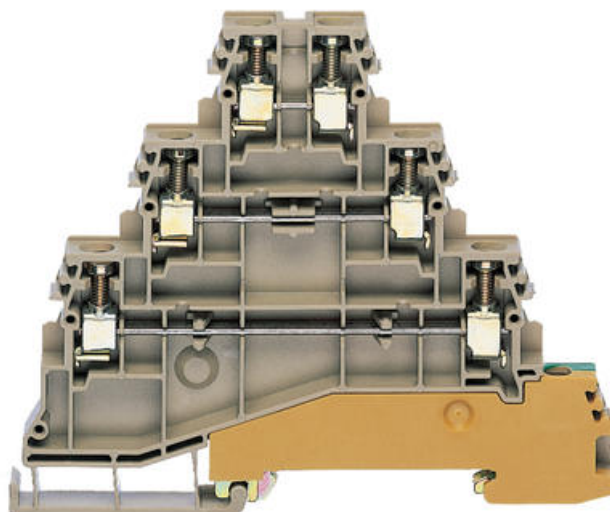


## TRIPLE DECK TERMINALS - IKD 2.5MM<sup>2</sup>/VMAK

IKD, VMAK

1260.2  
IK 2,5 BG

- For connecting encoders or motor outputs
- Material polyamide 6.6
- Colour marked versions available
- Temperature resistance -40 °C...+150 °C
- Flammability class V2



### PRODUCT DESCRIPTION

### TECHNICAL DATA

#### GENERAL DATA

Rated wire cross section	2,5 mm <sup>2</sup>
Colour	Beige
Rated voltage IEC	250 V
Rated current IEC	24 A
Mounting	TS 35
Rated impulse voltage	4 kV
Overvoltage category	III
Contamination degree	3
Approvals	UL, cUL, KEMA KUR

#### DIMENSIONS

Length	62,8 mm
Width	5 mm
Height TS 35/7.5	58,3 mm
Height TS 32	62,8 mm

#### CONNECTION DATA

Connections	4
-------------	---

Number of levels	3
Plug gauge acc. EN 60 947-1	A3
Cross connect channels	3
Cross section single wire from	0,2 mm <sup>2</sup>
Cross section single wire to	4 mm <sup>2</sup>
Cross section stranded wire from	0,2 mm <sup>2</sup>
Cross section stranded wire to	4 mm <sup>2</sup>
Cross section stranded with ferrule from	0,2 mm <sup>2</sup>
Cross section stranded with ferrule to	2,5 mm <sup>2</sup>
Rated wire cross section from (AWG)	22
Rated wire cross section to (AWG)	14
Stripping length	7 mm
Screw size	M 2,4
Screw type	Slotted
Torque min	0,4 Nm
Torque max	0,8 Nm

## MATERIALS

Insulation material	Polyamide 6.6
Flammability class	UL94-V2
Operating temperature from	-40 °C
Operating temperature to	105 °C

## APPROVALS

Rated voltage UL	300 V
Rated current UL	20 A
UL test standard	UL 1059
Rated voltage cUL	300 V
Rated current cUL	20 A
cUL test standard	C22.2 No 158
KEMA KEUR test standard	EN 60947-7-1:2009

## ADDITIONAL DATA

Tariff code	85369010
Country of origin	CZ
Weight	10,81 g

---

**Pack size**

100

**Type of terminal**Screw Terminals, DIN Rail terminals

---