



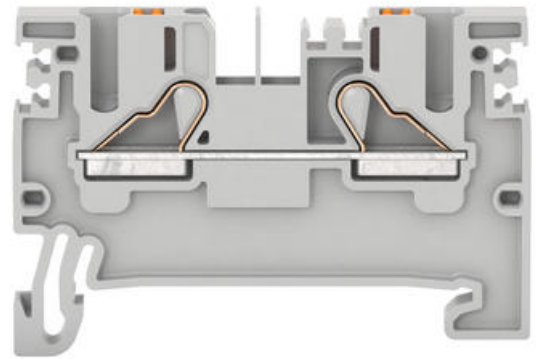
COMING SOON

PRK, PSL, PRKD, PIKD

27030.5

PRK 16/2A Blue, 16mm² Push-in feed through

- 1.5mm Double & Triple Deck
- 16mm feed through



PRODUCT DESCRIPTION

TECHNICAL DATA

GENERAL DATA

| | |
|--------------------------|-------------------------|
| Rated wire cross section | 16 mm ² |
| Colour | Blue |
| Rated voltage IEC | 1000 V |
| Rated current IEC | 85 A |
| Mounting | Mounting rail TS 35/7.5 |
| Rated impulse voltage | 8 kV |
| Overvoltage category | III |
| Contamination degree | 3 |

DIMENSIONS

| | |
|------------------|---------|
| Length | 75 mm |
| Width | 12,1 mm |
| Height TS 35/7.5 | 49,5 mm |
| Height | 48 mm |

CONNECTION DATA

| | |
|---|---------------------|
| Connections | 2 |
| Number of levels | 1 |
| Plug gauge acc. EN 60 947-1 | A7 |
| Cross connect channels | 2 |
| Cross section single wire from | 0,5 mm ² |
| Cross section single wire to | 25 mm ² |
| Cross section stranded wire from | 0,5 mm ² |
| Cross section stranded wire to | 16 mm ² |
| Cross section stranded with ferrule from | 0,5 mm ² |
| Cross section stranded with ferrule to | 16 mm ² |
| Rated wire cross section from | 20 AWG |
| Rated wire cross section to | 4 AWG |
| Stripping length | 18 mm |

MATERIALS

| | |
|-----------------------------------|---------------|
| Insulation material | Polyamide 6.6 |
| Flammability class | UL94-V0 |
| Operating temperature from | -40 °C |
| Operating temperature to | 120 °C |

ADDITIONAL DATA

| | |
|--------------------------------------|----------|
| Tariff code | 85369010 |
| Country of origin | DE |
| Weight | 1 g |
| Pack size | 50 |
| Number of terminals per level | 2 |