

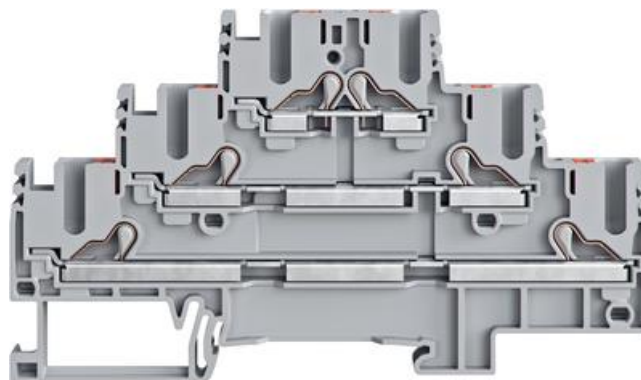
TRIPLE DECK TERMINALS - PIKD 2.5MM², PVMAK

PIKD, PVMAK

27039.6

PIKD 2.5 Grey, 2.5mm² triple deck terminal

- Push In technology
- Linked versions
- Colour marked
- Earth versions
- Motor connection terminal



PRODUCT DESCRIPTION

TECHNICAL DATA

GENERAL DATA

Rated wire cross section	2,5 mm ²
Colour	Grey
Rated voltage IEC	500 V
Rated current IEC	20 A
Mounting	Mounting rail TS 35/7.5
Rated impulse voltage	6 kV
Overvoltage category	III
Contamination degree	3

DIMENSIONS

Length	102 mm
Width	5,1 mm
Height TS 35/7.5	57,7 mm
Height	56,2 mm

CONNECTION DATA

Connections	2 x 3
Number of levels	3
Plug gauge acc. EN 60 947-1	A3
Cross connect channels	3

Cross section single wire from	0,14 mm ²
Cross section single wire to	4 mm ²
Cross section stranded wire from	0,14 mm ²
Cross section stranded wire to	2,5 mm ²
Cross section stranded with ferrule from	0,14 mm ²
Cross section stranded with ferrule to	2,5 mm ²
Rated wire cross section from	26 AWG
Rated wire cross section to	12 AWG
Stripping length	10 mm

MATERIALS

Insulation material	Polyamide 6.6
Flammability class	UL94-V0
Operating temperature from	-40 °C
Operating temperature to	120 °C

ADDITIONAL DATA

Tariff code	85369010
Country of origin	CZ
Weight	18,85 g
Pack size	50
Number of terminals per level	2

