

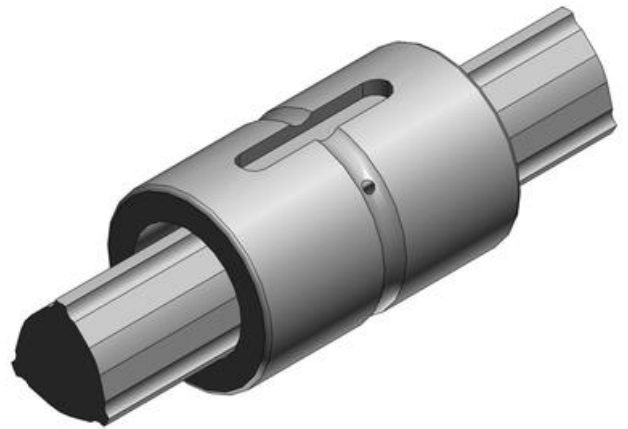


## THK - LBS - TORQUE BALL BUSHING

LBS6



- Compact torque bushing with a straight cylindrical spindle nut
- High torque capability
- High speed and quiet
- Long maintenance intervals



### PRODUCT DESCRIPTION

Ball bearing bushing LBS has a very compact cylindrical shape.  
The spline shaft has three precision slotted tracks, 120° between the bearings.

### TECHNICAL DATA

<b>Dynamic load</b>	0,637 kN
<b>Length</b>	20 mm
<b>Outer diameter</b>	12 mm
<b>Static load</b>	0,785 kN