

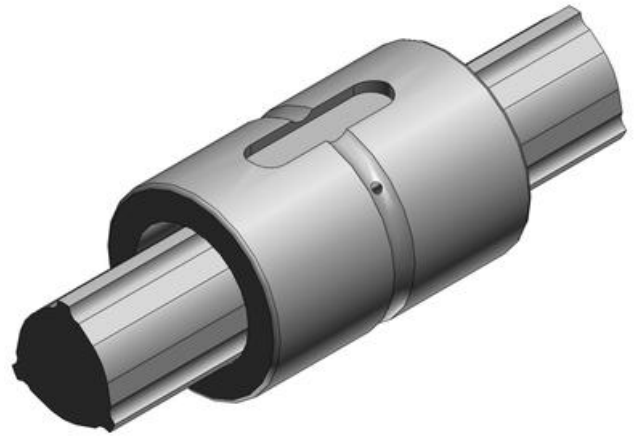


THK - LBST - TORQUE BALL BUSHING

LBST20



- Compact torque bushing with a straight cylindrical spindle nut
- High torque and high load capability
- High speed and quiet
- Long maintenance intervals



PRODUCT DESCRIPTION

A heavy duty torque bushing that has the same bending moment as the LBS model but has a longer ball nut.

TECHNICAL DATA

Dynamic load	9,4 kN
Length	60 mm
Outer diameter	30 mm
Static load	20,1 kN