

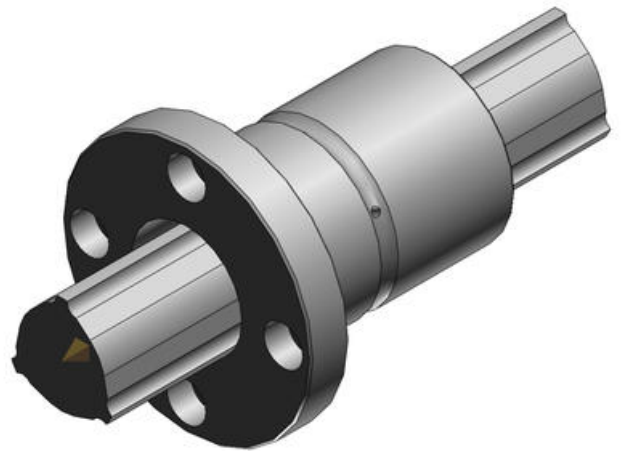


THK - LBF - TORQUE BALL BUSHING

LBF15



- Compact torque bush with flange
- Very high torque capability
- High speed and quiet
- Long maintenance intervals



PRODUCT DESCRIPTION

The spline shaft has three pairs of precision machined tracks, 120° between the bearings.

TECHNICAL DATA

Dynamic load	4,4 kN
Length	40 mm
Outer diameter	23 mm
Static load	8,4 kN