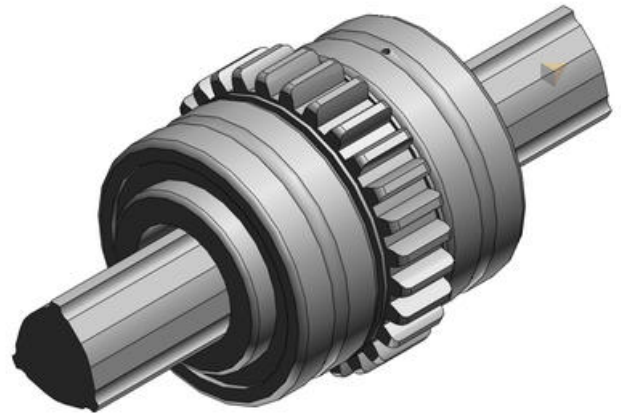


THK - LBG/LBGT - TORQUE BALL BUSHING

LBG 20

- Compact
- High torque capability
- High rigidity
- High speed and quiet



PRODUCT DESCRIPTION

Rotary torque ball bushing, based on model LBR, fitted with outer teeth on the flange

TECHNICAL DATA

Dynamic load	9,4 kN
Length	60 mm
Outer diameter	30 mm
Static load	20,1 kN