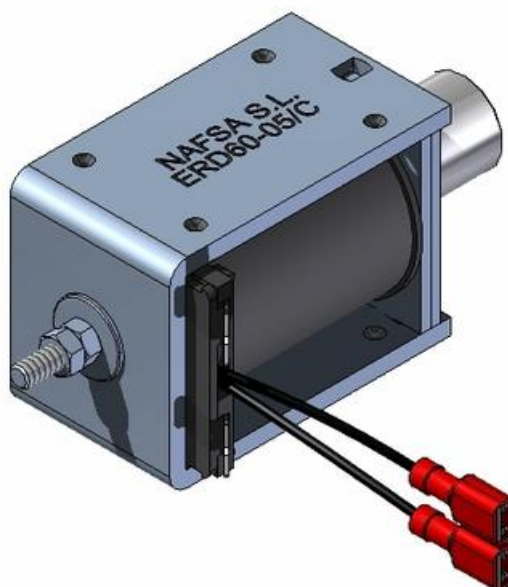


**NAFSA - ERD SERIES**

ERD60-05/C

- Double coil for 100% duty cycle
- Class B winding (130°C)
- High starting force
- Up to 440N force
- Customer specific version available

**PRODUCT DESCRIPTION**

The ERD series feature a double coil. One of them with a low resistive value (pulse coil) and the other one with high resistive value (holding coil).

It is used when a 100% duty cycle and a huge force at the beginning of the stroke are needed.

Please see PDF below for full details.

**TECHNICAL DATA**

<b>Cycle duration</b>	180 s
<b>Function</b>	pull/push
<b>Insulation class</b>	B (130°C)
<b>IP class</b>	IP00
<b>Total weight</b>	720 g
<b>Voltage ac max</b>	230 V
<b>Voltage ac min</b>	110 V
<b>Voltage dc max</b>	125 V
<b>Voltage dc min</b>	24 V
<b>Voltage type</b>	AC, DC

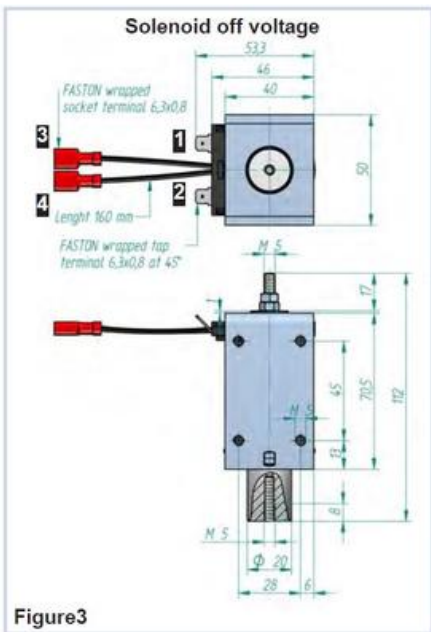


Figure3

Stroke "s" (mm)	Duty cycle ED(%)				
	20	15	10	5	3
	Magnetic Force Fm (N)				
25	6	9	13	24	33
20	8	13	18	33	46
15	11	19	25	44	61
10	18	28	36	64	88
5	36	56	74	137	140
3	63	94	114	162	188
1	196	235	259	263	288
0	378	390	411	436	440