

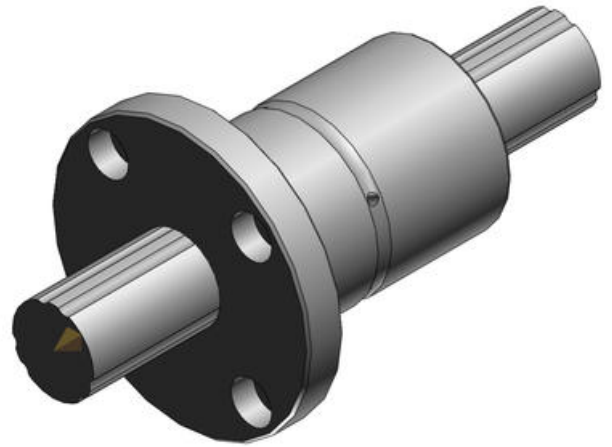


## THK - LF - TORQUE BALL BUSHING

LF6-



- High load capacity in radial and rotational direction
- High performance in demanding environments.
- High speed and quiet
- Long maintenance intervals



### PRODUCT DESCRIPTION

Ball bearings bushing model LF has, depending on size, 2 to 3 running grooves in the shaft.

### TECHNICAL DATA

<b>Dynamic load</b>	1,18 kN
<b>Length</b>	25 mm
<b>Outer diameter</b>	14 mm
<b>Static load</b>	2,16 kN