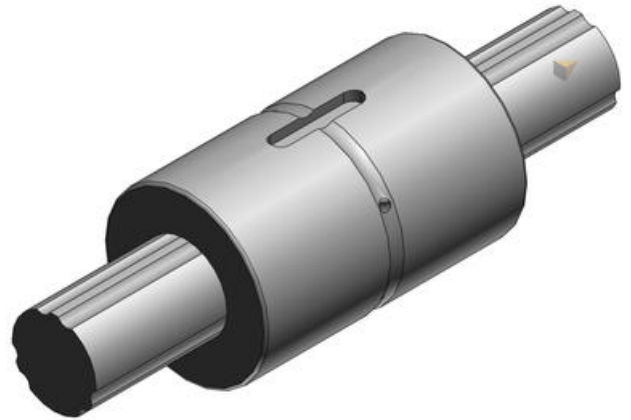




THK - LT - TORQUE BALL BUSHING LT-10



- Compact torque bushing with a straight cylindrical spindle nut
- High performance in demanding environments.
- High speed and quiet
- Long maintenance intervals



PRODUCT DESCRIPTION

Torque bushing LT has medium load capacity in a radial and rotational direction.

TECHNICAL DATA

Dynamic load	2,84 kN
Length	33 mm
Outer diameter	21 mm
Static load	4,9 kN