

## DATALOGIC - DS3 - AREA LIGHT CURTAIN SENSORS WITH BOTH DIGITAL AND ANALOGUE OUTPUT

DS3-SD-015  
957600100 Light Grid Array 150mm Analogue/1 PNP  
0.6m



- Measurement heights from 150 to 600 mm
- Crossed beam - digital output / parallel beam - analogue output
- Distance up to 1.5 m between the transmitter / receiver

### PRODUCT DESCRIPTION

The DS3 Curtains are used to detect, measure and check the position of objects, including transparent and small objects.

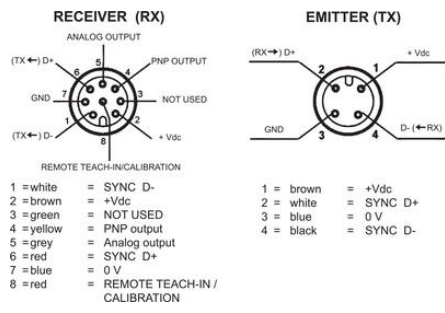
### TECHNICAL DATA

<b>Approvals</b>	CE, cULus
<b>Detection height</b>	150 mm
<b>Dimension (mm)</b>	35 x 40 x 226
<b>Distance max</b>	600 mm
<b>Distance min</b>	200 mm
<b>Electrical connection</b>	M12 8-pin connector, M12 4-pin connector
<b>IP class</b>	IP65
<b>LED indicator</b>	Yes
<b>Lens material</b>	PMMA
<b>Light type</b>	IR LED
<b>Material of body</b>	Aluminium
<b>Output</b>	0-10V, PNP
<b>Output current max</b>	0,1 A
<b>Photocell technology</b>	Curtain photocell
<b>Power consumption max</b>	0,1 A
<b>Reaction time</b>	3 ms
<b>Storage temperature max</b>	70 °C
<b>Storage temperature min</b>	-25 °C
<b>Supply voltage</b>	24 V DC

Temperature operational max 55 °C

Temperature operational min -10 °C

Weight 310 g



MODEL	a x b (mm)	h (mm)
DS3-SD-015	35 x 40	226
DS3-SD-030	35 x 40	376
DS3-SD-045	35 x 40	526
DS3-SD-060	35 x 40	676
DS3-LD-015	35 x 40	226
DS3-LD-030	35 x 40	376
DS3-LD-045	35 x 40	526
DS3-LD-060	35 x 40	676