

## DATALOGIC - S100 - MINIATURE SENSOR

IO-link versions now available

S100-PR-2-A00-NK  
950811000 Retro reflective NPN 2m Cable

- Miniature photoelectric sensor
- Front and back mounting holes
- 2m embedded cable or M8 connector
- PNP, NPN or IO-link output
- Light on/dark on selectable through wires



### PRODUCT DESCRIPTION

The S100 series, with standard case dimensions of only 20 x 32 x 12mm, sets a new benchmark for miniature photoelectric sensors with several distinctive features. The sensors offer four mounting holes, two threaded holes on the front side and two slotted holes on the back, making it a universal solution, suitable in all layouts and applications.

The installation of the S100 photoelectric sensor is simple and fast because there is no trimmer or push-buttons to adjust, also guaranteeing an anti-tampering function.

All standard optic functions are available:

- Through beam at 12 m
- Retroreflective at 7 m and Polarized at 5,5 m and 3 m
- Diffuse proximity at 30 cm and 50 cm
- Fixed focus at 70 mm and Background suppression at 100 mm

All models are provided with M8 connector or 2m embedded cable, with PNP, NPN or IO-link outputs.

An external input can be used to select Light/Dark mode or even set the distance in the Background Suppression model.

### FEATURES & BENEFITS

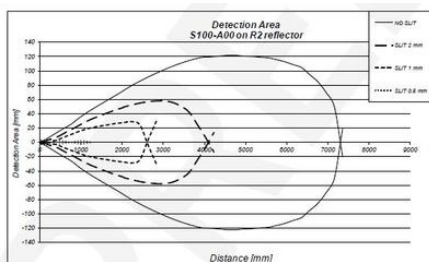
- Cost saving, for the very competitive price
- Space saving, for the miniature dimensions and universal mounting
- Time saving, for the quick mechanical and electrical installation without settings
- Now featuring IO-link versions or selected configurations

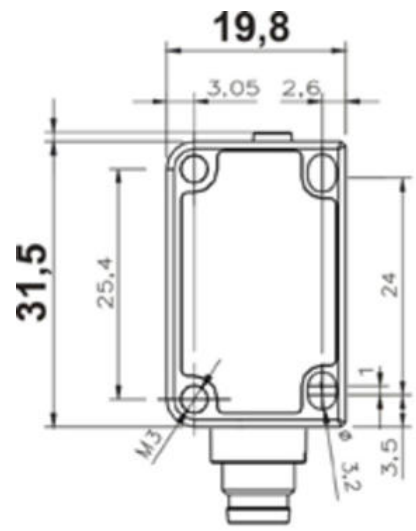
### APPLICATIONS

- Packaging and packing machines
- Conveyor and sorting lines
- Warehousing and logistics plants

## TECHNICAL DATA

<b>Approvals</b>	CE, UL
<b>Cable length</b>	2000 mm
<b>Dimension (mm)</b>	32 x 20 x 12
<b>Distance max</b>	7000 mm
<b>Distance min</b>	0 mm
<b>Electrical connection</b>	Embedded 2m cable
<b>Function</b>	Dark on / Light on
<b>IP class</b>	IP67
<b>LED indicator</b>	Yes
<b>Lens material</b>	PMMA, PC
<b>Light type</b>	IR LED
<b>Material of body</b>	ABS plastic
<b>Output</b>	NPN
<b>Output current max</b>	0,1 A
<b>Photocell technology</b>	Retro reflective
<b>Power consumption max</b>	0,03 A
<b>Reaction time</b>	1 ms
<b>Sensitivity setting</b>	No
<b>Storage temperature max</b>	70 °C
<b>Storage temperature min</b>	-40 °C
<b>Supply voltage</b>	10-30 V DC
<b>Temperature operational max</b>	55 °C
<b>Temperature operational min</b>	-25 °C
<b>Type of light</b>	LED
<b>Weight</b>	50 g





BROWN	1	+ 10...30 V DC
WHITE	2	REMOTE
BLACK	3	OUTPUT
BLUE	4	0 V