

COMPRESSION LATCH 35MM

241387-01

Compression lock 35mm, Hexagon 11, Chrome plated

- 35.5mm housing
- IP65
- 90°
- Compact
- 6mm compression

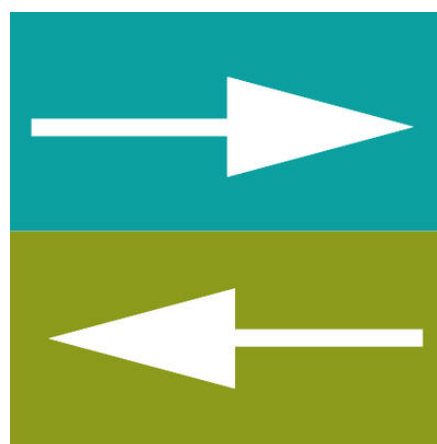
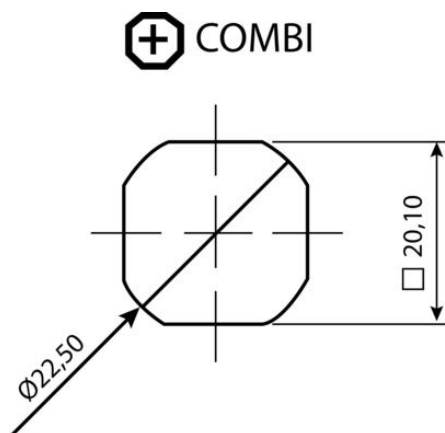


PRODUCT DESCRIPTION

Compression latch closes with a single continuous 180° turn. First 90° moves the cam, second 90° enables a compression of 6 mm. The latch is delivered fully assembled and cam is ordered separately. Protection class IP65 / NEMA 4.

TECHNICAL DATA

Configurable	No
Material lock housing	Zinc, chrome
Material nut	Zinc plated, Zinc





IP65

