



QUARTER-TURN L-HANDLE 18MM ALUMINIUM PADLOCKABLE

264566

L-handle, aluminum, zinc/black with standard nut,
padlockable



- Loop for a padlock
- 18mm lock housing
- IP65
- Aluminium
- Not configurable

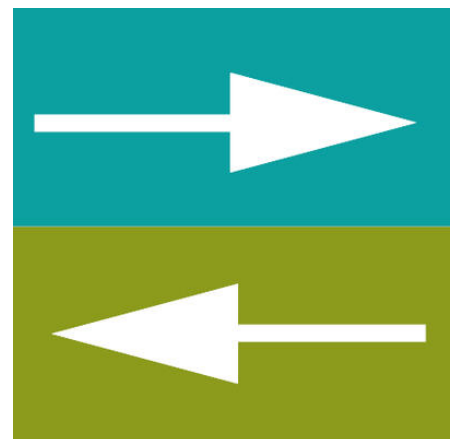
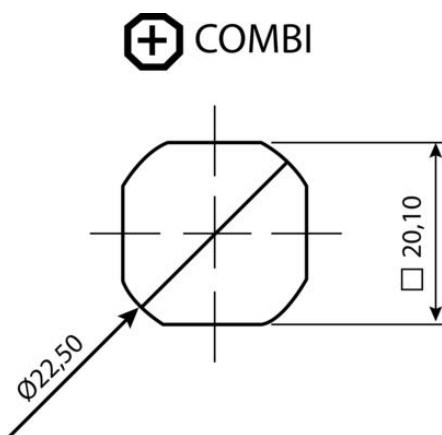
PRODUCT DESCRIPTION

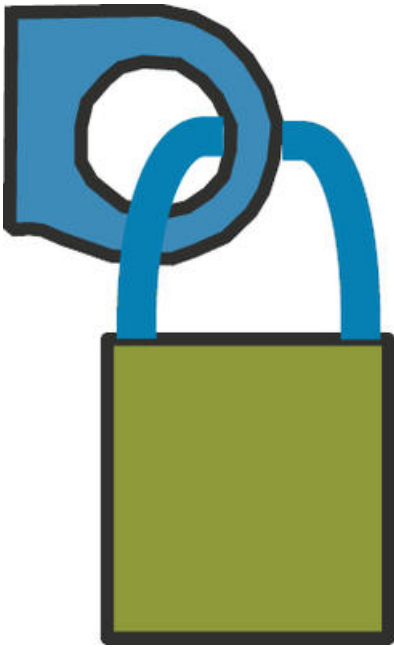
Aluminum L-handle - with padlock loop. Universal counterclockwise or clockwise rotation when opening / closing. Supplied with nut. Protection class IP65, also classified "Waterproof according to NEMA 4".

Please note that rule is ordered separately. Choose: rule with notches, three-point rule or hook rule

TECHNICAL DATA

Configurable	No
Material	Zinc, black powder coated





IP65

