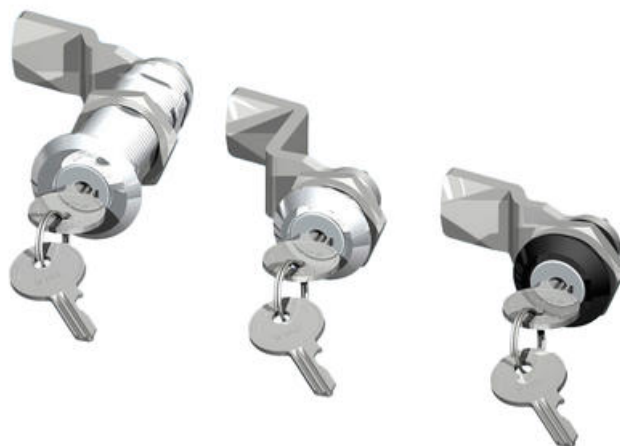


CYLINDER LOCK 18,56.5MM

241334

Cylinder lock 18mm, Keyed alike IL101, Standard nut,
Chrome plated

- 18 or 56.5mm lock housing
- IP54
- 180°
- Incl. 2 keys



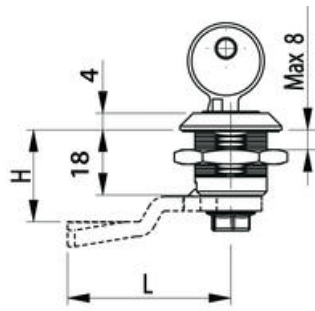
PRODUCT DESCRIPTION

Cylinder lock with 90° rotation and universal design with a hole that enables clockwise or counter-clockwise rotation when opening / locking. Supplied with nut. Sealed to protection class IP54. Comes with two keys. Master key system supplied upon request.

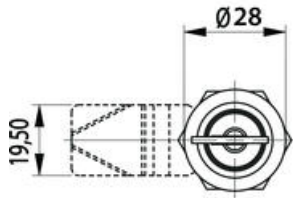
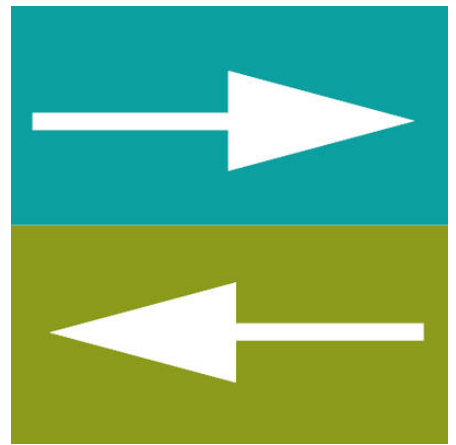
Please note that rule is ordered separately. Choose: rule with notches, three-point rule or hook rule.

TECHNICAL DATA

Configurable	No
Material cylinder	Stainless steel AISI 304, Zinc
Material lock housing	Zinc, chrome
Material nut	Zinc plated, Zinc
Material terminal	Zinc plated, Steel



IP54



⊕ COMBI

