

**QUARTER-TURN T-HANDLE 18MM
STAINLESS STEEL**

253050

T-handle stainless steel 304, 18mm, 37mm handle

- Stainless/acid resistant
- 18mm lock housing
- Installation on the right or left
- IP65/NEMA 4
- Not configurable

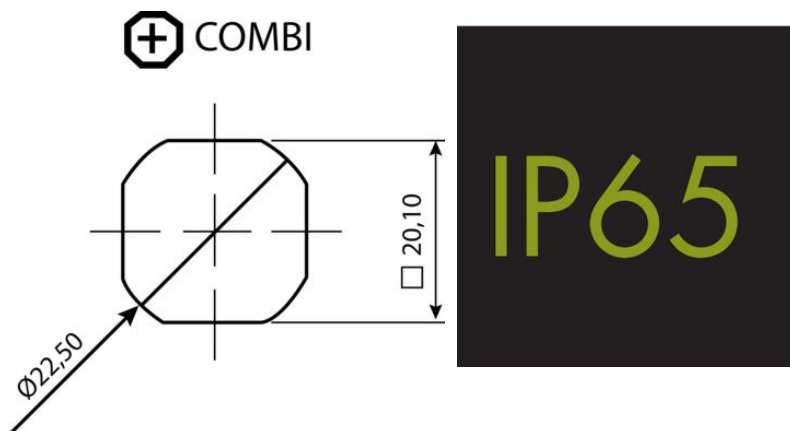
**PRODUCT DESCRIPTION**

90° T-handle in non-locking version. Universal right or left mounting when opening/closing. Supplied with nut. Protection class IP65/NEMA 4.

Please note that rule is ordered separately. Choose rule with notches, three-point rule or hook rule

TECHNICAL DATA

Configurable	No
Dimension X	37 mm
Material	Stainless steel AISI 304
Opening angle	90 °



Integrated PUR-gasket

