

## ADJUSTABLE COMPRESSION LATCH 35MM

241389-01

Compression lock 35mm, Hexagon 11, Chrome plated



- 35.5mm lock housing
- IP65
- 90°
- Adjustable compression
- 6mm compression

### PRODUCT DESCRIPTION

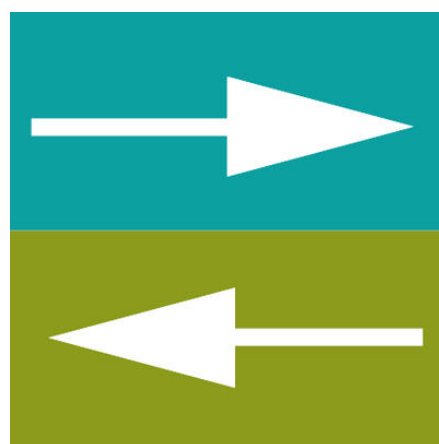
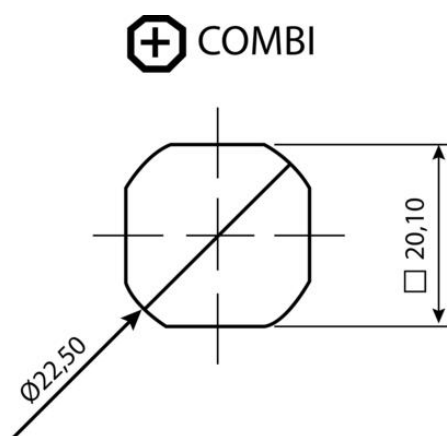
Adjustable compression latch 35mm. Locks and compresses through a 180° rotation. The first 90° rotation moves the cam, the second 90° rotation retracts the cam 6mm. This is illustrated using the C dimension in the drawing.

The external threaded shaft makes it possible to place the cam along its entire length and thus be able to adjust the H dimension to the desired dimension. The adjustability is 20mm. Fix the cam using the associated counter nuts. The overall length of the threaded rod (L) varies between 41mm, in the open position, to 35mm in the compressed position. The latch is delivered assembled and the cam is ordered separately.

- Vibration resistant according to DIN EN 61373
- Watertight according to NEMA 4
- IP65

### TECHNICAL DATA

<b>Configurable</b>	No
<b>Material</b>	Zinc, chrome
<b>Material of shaft</b>	Zinc plated, Steel





IP65

