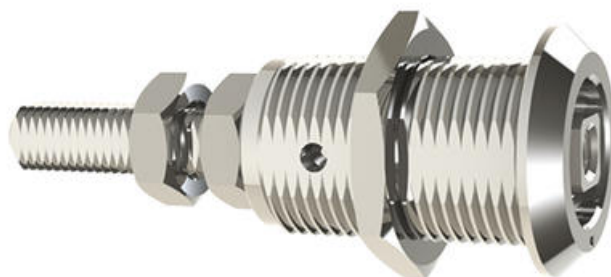


ADJUSTABLE STAINLESS COMPRESSION LOCK 35MM

243089-01

Compression lock 35mm, Hexagon 11, Stainless steel
304



- 35mm lock housing
- IP65
- 90°
- Stainless (304)
- Adjustable compression lock

PRODUCT DESCRIPTION

Stainless adjustable compression lock 35 mm. Locks and compresses through a 180° rotation. The first 90° rotation locks the rule, the second 90° rotation compresses the rule 6 mm. This is illustrated using the C dimension in the drawing below.

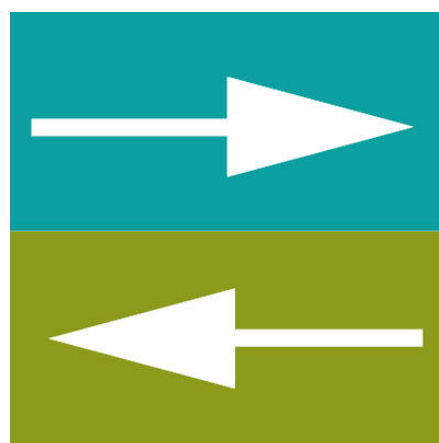
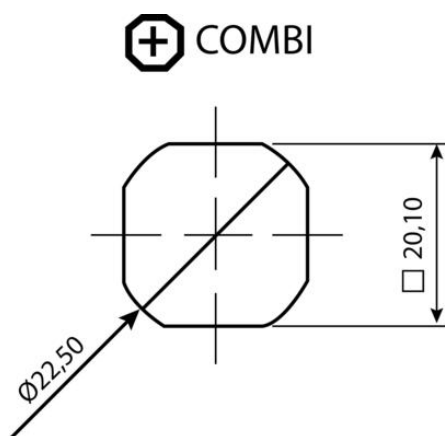
The external threaded rod makes it possible to place the rule along its entire length and thus be able to adjust the H dimension to the desired dimension. The adjustability is 20 mm. Fix the rule using the associated counter nuts. The overall length of the threaded rod (L) varies between 41 mm, in the open position, to 35 mm in the compressed position. The lock is delivered assembled, IP65.

- Vibration resistant according to DIN EN 61373
- Watertight according to NEMA 4
- Universal left / right

Please note that rule is ordered separately. Select: rule without allocation

TECHNICAL DATA

Configurable	No
Material	Stainless steel AISI 304
Material nut	Stainless steel 303





IP65

