

KLIMA-FLEX COMPACT LATCH HINGE

2651-420034

Klima-flex latch hinge, 180°, with safety catch

- Can be used as a lock or hinge
- Left or right hinged door
- 3mm compression
- Available with safety latch



PRODUCT DESCRIPTION

Locking hinge with compression and safety function. Adjustable in 3D - System Klima-Flex

The patent-pending 180° locking hinge can be used as either a lock or a hinge, as desired. Allows you to open the door as a right-hinged door, left-hinged door - or remove the door completely. Universal left and right mounting. The unit is equipped with a safety function which, when installed in ventilation units with positive pressure, means that the system is vented before opening the door so that the door can be opened safely.

The locking hinge is equipped with 3 mm compression, but in addition to this, the locking hinge can also be adjusted between offset 0, 1.5 and 3 mm to increase the sealing pressure and create a good seal between the door and frame. The door part is mounted with a mounting plate (supplied) which stabilizes and straightens the door in this area and allows additional fine adjustment. The locking hinge can be adjusted 3 mm in all three dimensions (XYZ).

Gives a clear "click" feeling when turning to the outer positions. Equipped with insert "Hex 8" and is also equipped with indication for "open" and "locked".

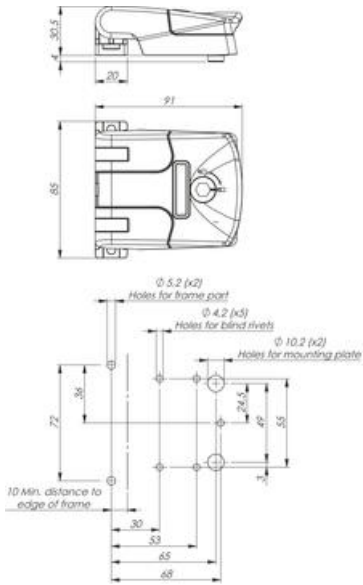
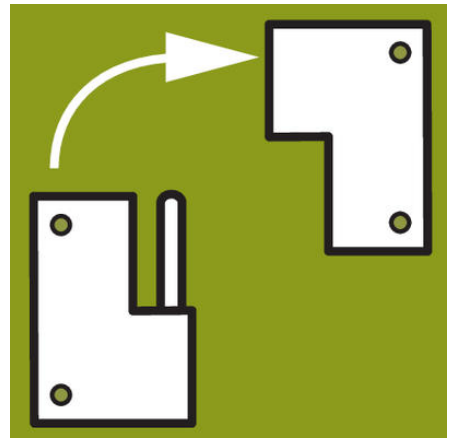
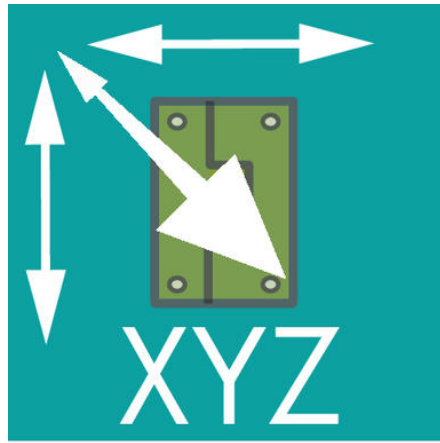
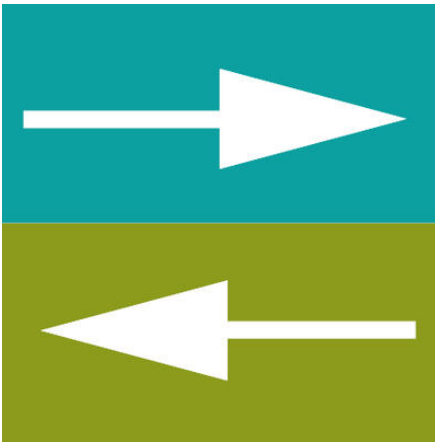
The handle can be provided with a logo on the prepared surface. Embossed logo is offered upon request. The frame part is mounted with screws. The mounting plate is mounted with Ø4 mm blind rivets (pop rivets). Mounting material is not included in the delivery.

A normal door generally needs four units to be able to be opened as right-hung, left-hung or to be removed completely. No problems with cold bridges as the details are mounted on the outside of both the door and the frame part, which means that no details can conduct cold/heat through the insulated door.

Key for insert "Recessed hexagon 8 m 3 mm pin"

TECHNICAL DATA

Material	PA6
Opening angle	180 °



Klima-flex®
 PARTS FOR HVAC-UNITS