

QUARTER-TURN CLASSIC 30MM LOCK

2362-005250-3045

Complete 90° lock 30mm, square 8, assembled

- 30mm lock housing
- IP65
- 90°
- Configurable



PRODUCT DESCRIPTION

Complete 90° lock - 30, 40, 50 and 60 mm

A complete lock consists of lock housing, nut, insert, washer, screw and rule. To achieve protection class IP65, an O-ring is placed on the insert and a flat gasket on the lock housing.

The lock can be delivered unassembled, pre-assembled with an enclosed rule or in fully assembled condition.

Example:

Lock housing - chrome A=28, B=4, brass nut, insert Square 8 - chrome, IP65 / NEMA 4 mounting and rule - standard for H=22 mm L=45 mm gives the following article number: 2362-005250-2245.

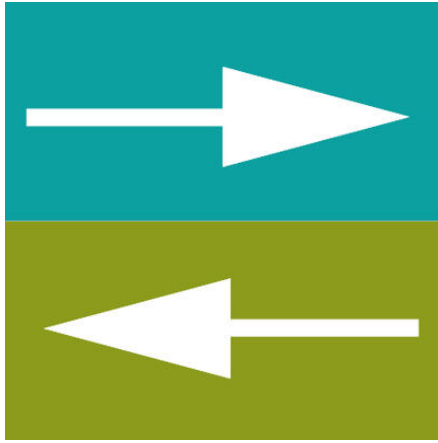
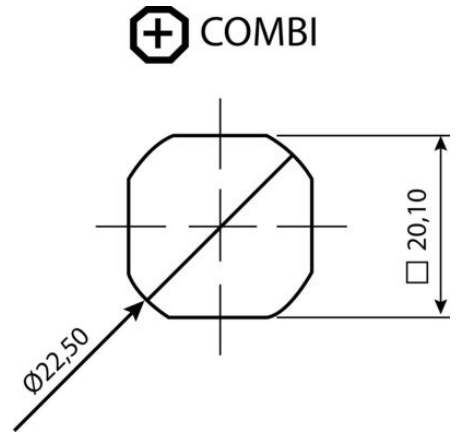
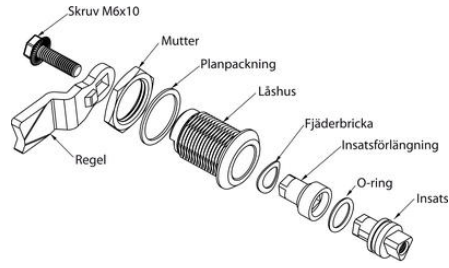
Tightness class IP65 / NEMA 4 is obtained by mounting an O-ring on the insert and a seal on the lock housing.

Rule: rule with notches, three-point rule or hook rule

TECHNICAL DATA

Configurable	Yes
Dimension L	45 mm
Material	Zinc, chrome
Material lock housing	Zinc, chrome
Material rule	Steel
Opening angle	90 °

AA04	Libero	Material	CC	Intens	Ø	Stipels	Monterings	A	Regel	CC02	CC03	Stipels
	20 mm libero	1	01	02	20	2	1	1	1	1	1	1
2140	200. Högtryck an 21 B&W C&D	1	01	02	20	2	1	1	1	1	1	1
2140	200. Högtryck an 21 B&W C&D	1	01	02	20	2	1	1	1	1	1	1
2170	200. Högtryck an 21 B&W C&D	1	01	02	20	2	1	1	1	1	1	1
2170	200. Högtryck an 21 B&W C&D	1	01	02	20	2	1	1	1	1	1	1
	40 mm libero											
2140	200. Högtryck an 21 B&W C&D	1	01	02	40	2	1	1	1	1	1	1
2140	200. Högtryck an 21 B&W C&D	1	01	02	40	2	1	1	1	1	1	1
	50 mm libero											
2140	200. Högtryck an 21 B&W C&D	1	01	02	50	2	1	1	1	1	1	1
2140	200. Högtryck an 21 B&W C&D	1	01	02	50	2	1	1	1	1	1	1
	60 mm libero											
2140	200. Högtryck an 21 B&W C&D	1	01	02	60	2	1	1	1	1	1	1
2140	200. Högtryck an 21 B&W C&D	1	01	02	60	2	1	1	1	1	1	1
	80 mm libero											
2140	200. Högtryck an 21 B&W C&D	1	01	02	80	2	1	1	1	1	1	1
2140	200. Högtryck an 21 B&W C&D	1	01	02	80	2	1	1	1	1	1	1
	100 mm libero											
2140	200. Högtryck an 21 B&W C&D	1	01	02	100	2	1	1	1	1	1	1
2140	200. Högtryck an 21 B&W C&D	1	01	02	100	2	1	1	1	1	1	1
	120 mm libero											
2140	200. Högtryck an 21 B&W C&D	1	01	02	120	2	1	1	1	1	1	1
2140	200. Högtryck an 21 B&W C&D	1	01	02	120	2	1	1	1	1	1	1
	140 mm libero											
2140	200. Högtryck an 21 B&W C&D	1	01	02	140	2	1	1	1	1	1	1
2140	200. Högtryck an 21 B&W C&D	1	01	02	140	2	1	1	1	1	1	1
	160 mm libero											
2140	200. Högtryck an 21 B&W C&D	1	01	02	160	2	1	1	1	1	1	1
2140	200. Högtryck an 21 B&W C&D	1	01	02	160	2	1	1	1	1	1	1
	180 mm libero											
2140	200. Högtryck an 21 B&W C&D	1	01	02	180	2	1	1	1	1	1	1
2140	200. Högtryck an 21 B&W C&D	1	01	02	180	2	1	1	1	1	1	1
	200 mm libero											
2140	200. Högtryck an 21 B&W C&D	1	01	02	200	2	1	1	1	1	1	1
2140	200. Högtryck an 21 B&W C&D	1	01	02	200	2	1	1	1	1	1	1



IP65

