

QUARTER-TURN CLASSIC EXTENDED 30MM LOCK

2102-008220-1645

Quarter turn 30mm, zinc chrome, square8/M6, IP54 enclosed cam, 16/45mm

- 30mm lock housing
- IP65
- For insulated doors
- Extended lock housing
- Configurable



PRODUCT DESCRIPTION

A complete lock consists of lock housing, nut, insert, washer, screw and rule. Protection class IP65 is obtained by placing an O-ring on the insert and a flat gasket on the lock housing.

The lock can be delivered unassembled, pre-assembled with an enclosed rule or in fully assembled condition.

90° lock with extended lock housing for insulated hatches and doors. Lock housing 45.5 mm can be fitted with fork spring for door thickness 29, 32 or 39 mm. Lock housing 56.5 can be fitted with fork spring for door thicknesses 40, 43 and 50 mm.

Fork spring is ordered separately (Art. no. 271105).

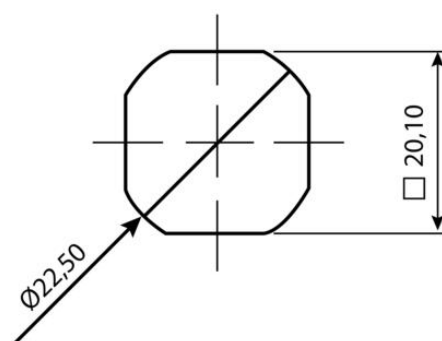
SM= Standard nut.

JM= Ground nut.

TECHNICAL DATA

Configurable	Yes
Dimension H	16 mm
Dimension L	45 mm
Material lock housing	Zinc, chrome
Material rule	Steel
Opening angle	90 °

AAAD	Adidas	W	Washer	CC	Insert	D	Wash	Inserting	W	Wedge	Wedge	W	Wedge	W	Wedge
2102	2102-008220-1645	1	SM	SM	SM	SM	SM	SM	SM	SM	SM	SM	SM	SM	SM
2102	2102-008220-1645	1	SM	SM	SM	SM	SM	SM	SM	SM	SM	SM	SM	SM	SM
2102	2102-008220-1645	1	SM	SM	SM	SM	SM	SM	SM	SM	SM	SM	SM	SM	SM
2102	2102-008220-1645	1	SM	SM	SM	SM	SM	SM	SM	SM	SM	SM	SM	SM	SM
2102	2102-008220-1645	1	SM	SM	SM	SM	SM	SM	SM	SM	SM	SM	SM	SM	SM
2102	2102-008220-1645	1	SM	SM	SM	SM	SM	SM	SM	SM	SM	SM	SM	SM	SM



IP65

