

VISION SWING HANDLE WITH CYLINDER KEY IL101

141611110-C21S

Vision swing handle, Zinc/PA6, 90°, 0.8-1.5mm, keyed
alike IL101

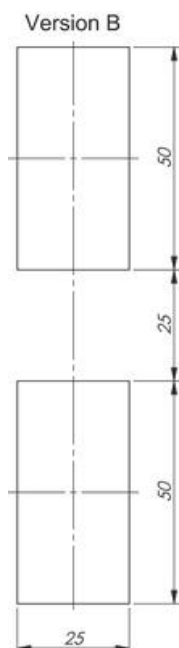
- Compact
- Cylinder lock
- Zinc / PA6
- Push-to-latch
- 90° clockwise or counterclockwise

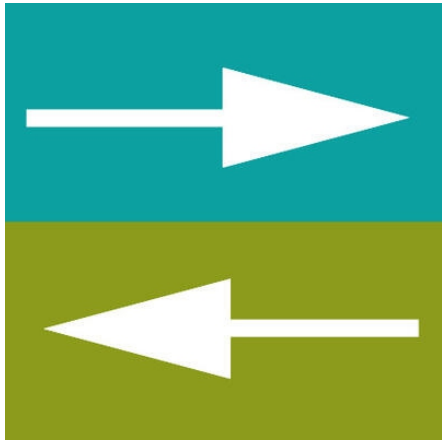
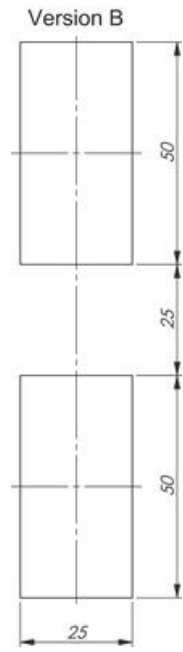
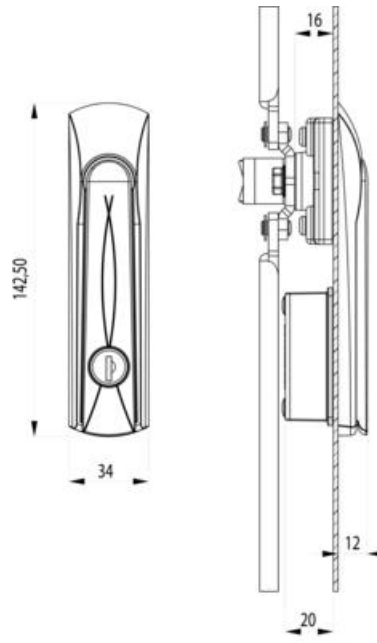
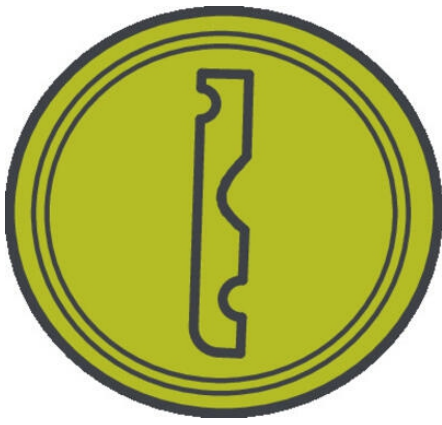


PRODUCT DESCRIPTION

Recessed low-profile spagnolet handle with cylinder lock. Too rule. Comes with two keys.
Key can be removed in position: Open/closed.

Padlock loop: Spring-loaded padlock loop, folds in when the handle is folded out.





IP65

