

VISION SWING HANDLE FOR 40MM PROFILE CYLINDER

121641830-C60D

Vision swing handle for 40mm profile cylinder, with dust cover

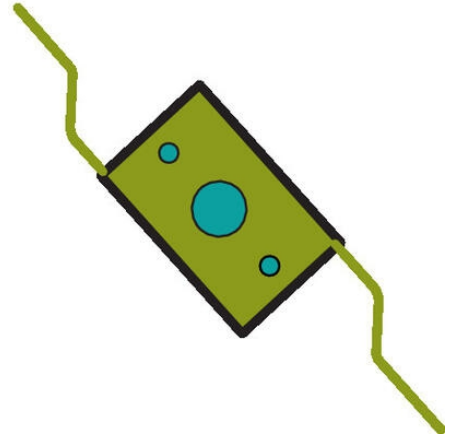
- 90° clockwise or counterclockwise
- 40mm profile cylinder
- Zinc and PA6
- IP65

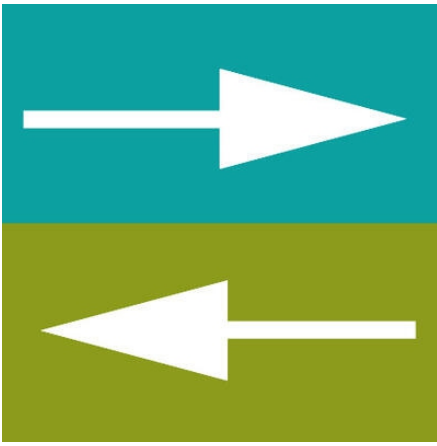


PRODUCT DESCRIPTION

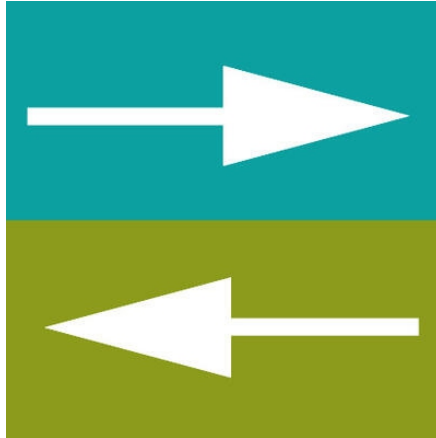
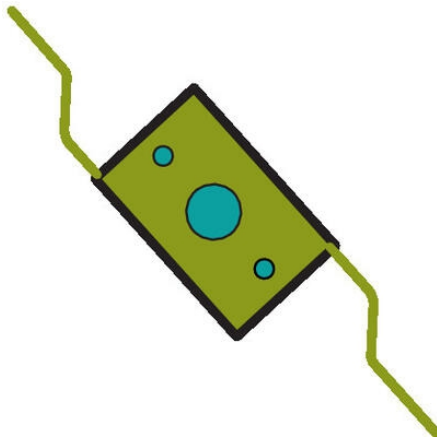
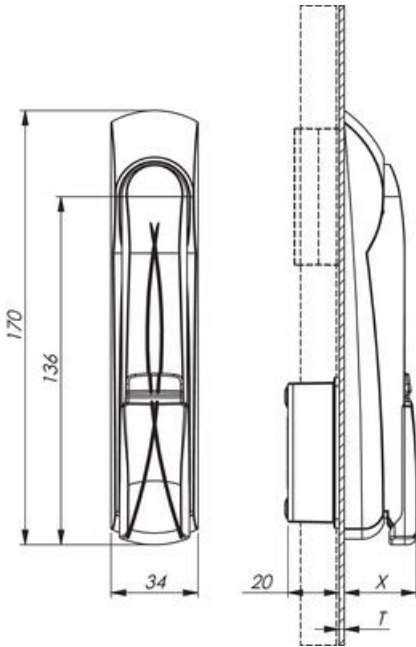
Recessed espagnolette handle for 40 mm or 45 mm long profile cylinder and rod drive. IP65

- For control mechanism
- With or without dust cover
- 90° clockwise or counterclockwise rotation





IP65



IP65

Version C

