

## VISION SWING HANDLE FOR 45MM PROFILE CYLINDER

121641120-C65D

Vision swing handle, Zinc, 90°, 1.6-2.5mm, with dust cover

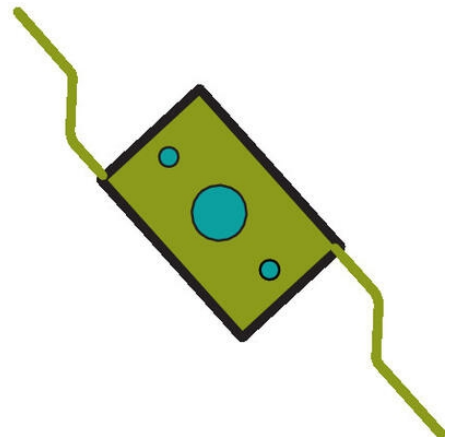


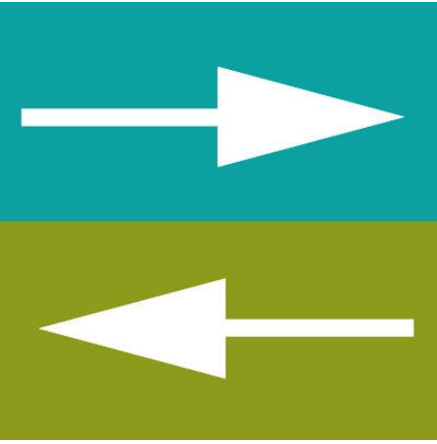
- For 45mm profile cylinder
- Turn-to-latch
- Available with dust cover
- With or without fittings
- 90° clockwise or counterclockwise

### PRODUCT DESCRIPTION

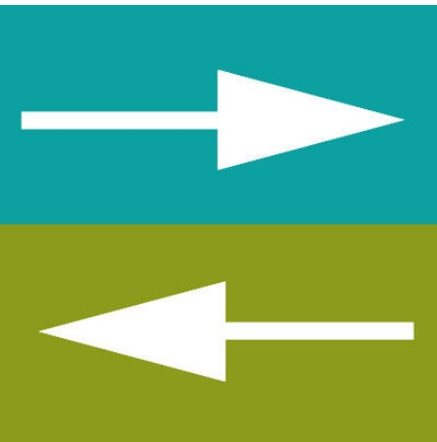
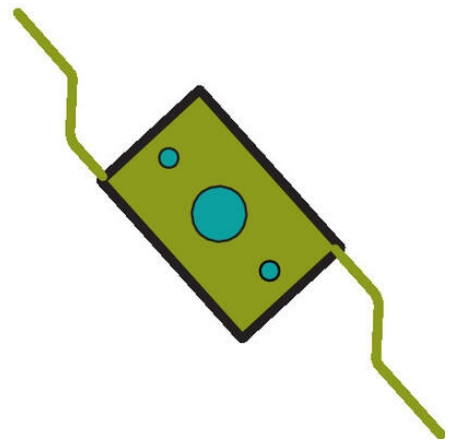
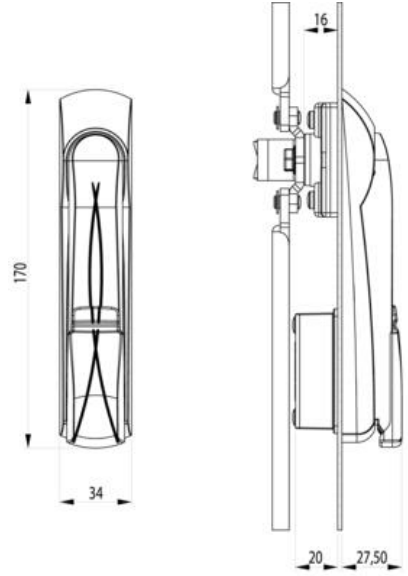
Recessed espagnolette handle for 40 mm or 45 mm profile cylinder, for rule.

Padlock loop: Spring-loaded padlock loop, folds in when the handle is folded out.





IP65



IP65

