

QUARTER-TURN 18MM L-HANDLE

261356

L-handle, non-locking, standard nut, chrome

- With or without cylinder
- 18mm lock housing
- IP65 / HNS on request
- Not configurable



PRODUCT DESCRIPTION

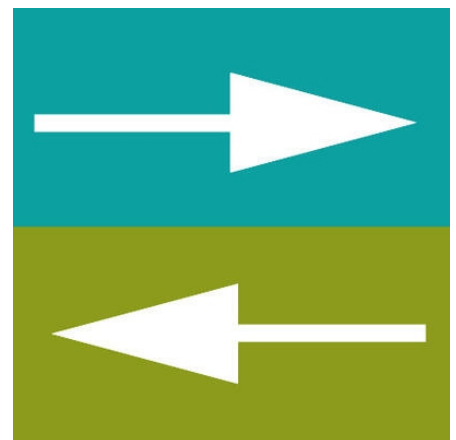
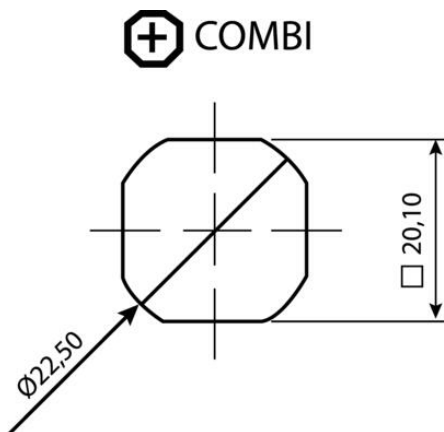
90° L-handle in locking or non-locking version with universal right or left mounting when opening/closing. Supplied with nut and two keys. Protection class IP65/NEMA4.

Please note that rule is ordered separately. Choose rule with notches, three-point rule or hook rule.

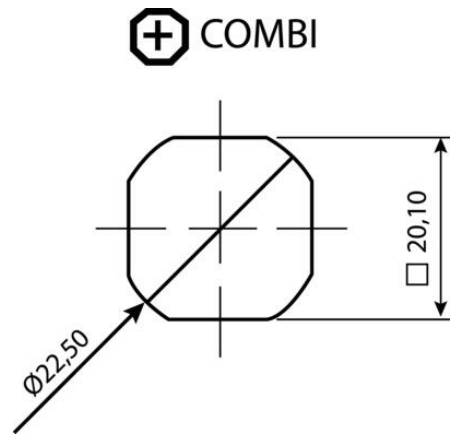
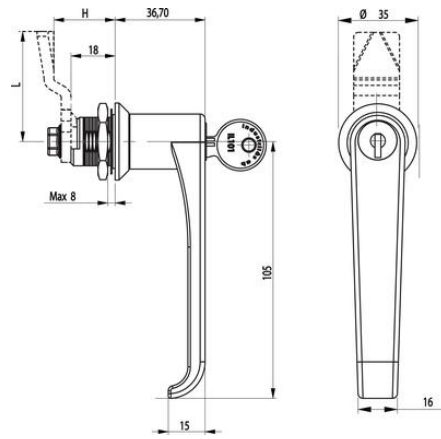
* Master key system upon request.

TECHNICAL DATA

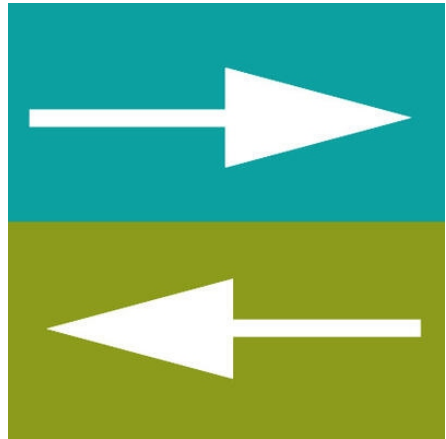
Configurable	No
Material	Zinc, chrome



IP65



NEMA
4



IP65

