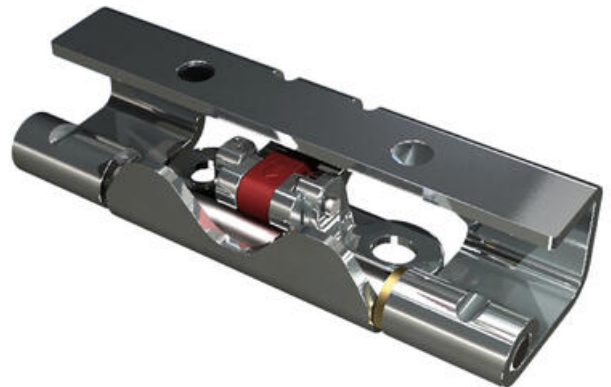


CONCEALED LIFT-OFF CLICK HINGE STANDARD 120°

311117

Concealed click hinge, 120°, standard, 40mm hole spacing

- Click function
- Left or right installation
- Zinc, stainless steel, brass
- 120° opening angle



PRODUCT DESCRIPTION

Vision internal hinge with click function, 40 mm hole distance - 120° opening angle

Internal hinge with a patented function where the door part is released from, or assembled together, with the frame part with a click. The parts are joined by putting the door back and closing it. Door part and frame part are then snapped together. The assembly is finally secured with the red safety catch. The frame part is screwed on. The door part is mounted on welding bolts.

Universal right or left mounting.

Material:

Standard design:

Frame part: Steel, for example.

Shaft: Stainless steel (303).

Washer: Brass.

Door part: Zinc, for example.

Safety lock: Glass fiber reinforced polyamide (PA6), red

Highlander version:

Frame part and shaft: Stainless steel (303).

Washer: Brass.

Door part: Zinc with a special surface treatment

Safety lock: Glass fiber reinforced polyamide (PA6), red

TECHNICAL DATA

Material door part	Zinc
Material frame part	Stainless steel 303
Material of shaft	Stainless steel 303
Material washer	Brass
Opening angle	120 °

