

**QUARTER-TURN L-HANDLE 18MM
PUSHBUTTON/PADLOCKABLE**

261904-0-0000

- With a push button
- Retractable loop for padlock
- IP65
- 18mm lock housing
- Not configurable

**PRODUCT DESCRIPTION**

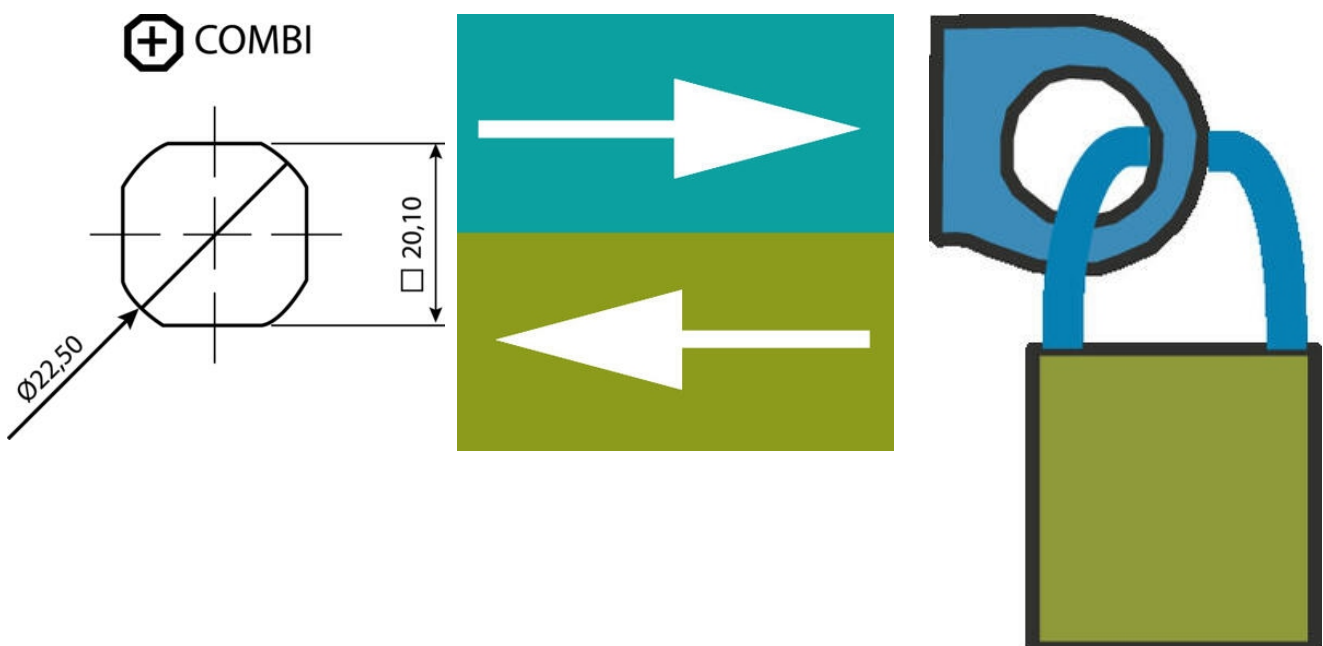
90° L-handle with the possibility of locking with a padlock. Universal counterclockwise or clockwise rotation when opening/closing. Supplied with nut. Protection class IP65/NEMA 4.

Left or right rotation is programmed and ready already at the first intervention.

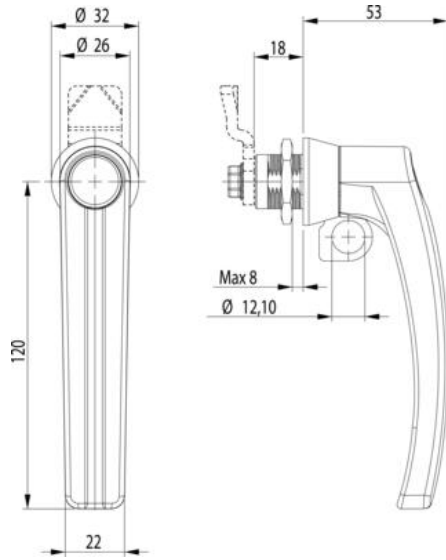
Please note that rule is ordered separately. Select: rule without allocation

TECHNICAL DATA

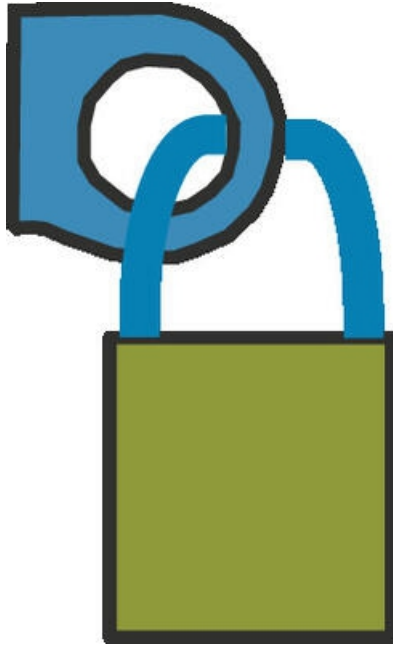
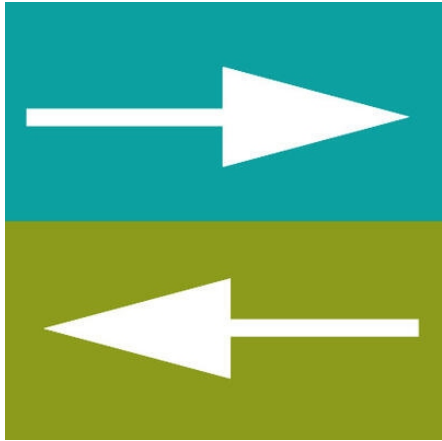
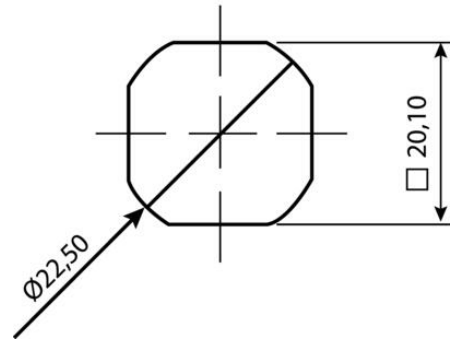
Colour	Silver
Configurable	No
Material	Zinc
Material padlock	Stainless steel AISI 304



IP65



COMBI



IP65

