

QUARTER-TURN L-HANDLE 18MM PADLOCKABLE STAINLESS STEEL

263064-0-0000

- Stainless steel
- 18mm lock housing
- Installation on the right or left



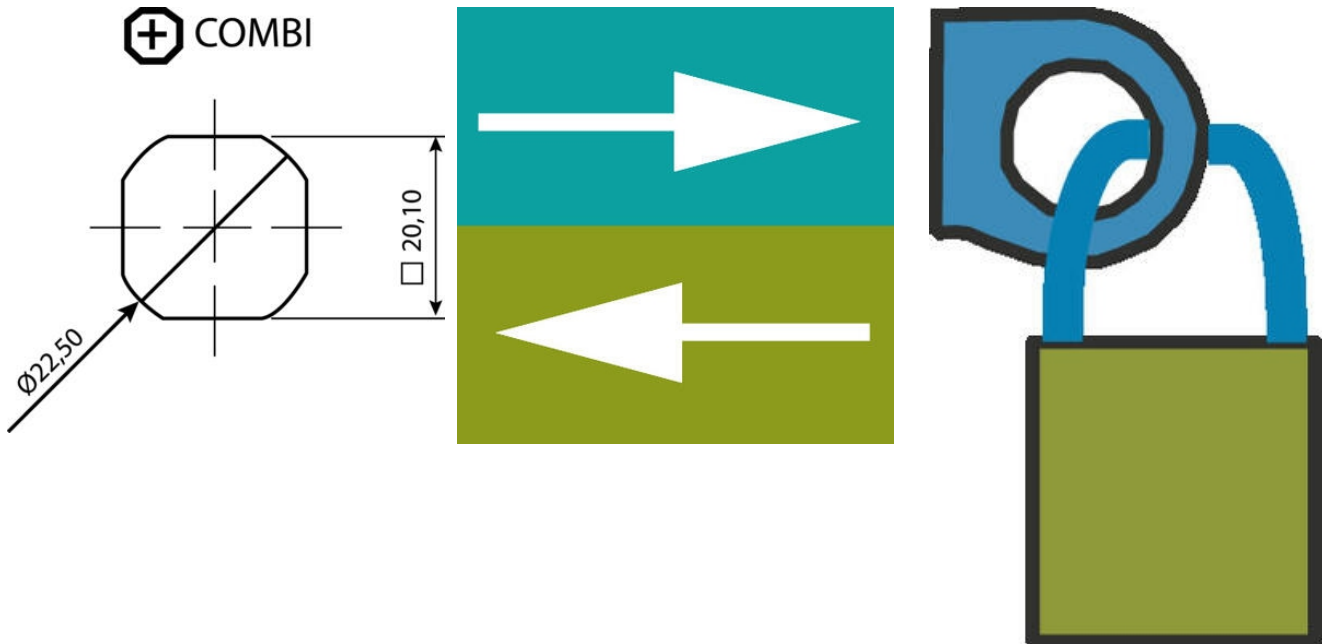
PRODUCT DESCRIPTION

Stainless handle for locking with a padlock. Made of stainless steel (304). Universal right or left mounting when opening / closing. Suitable for bolts with single or multi-point locking. Supplied with nut. Protection class IP65.

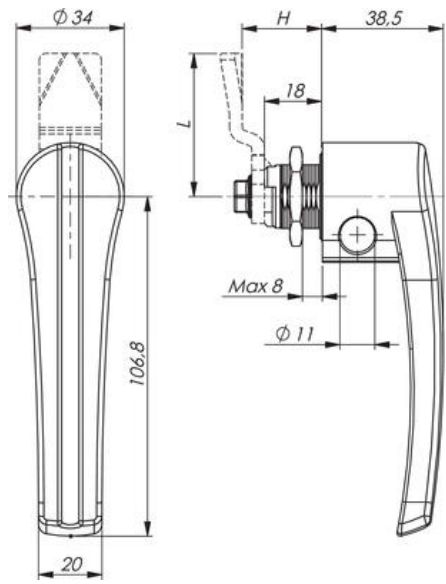
Please note that rule is ordered separately. Choose: rule with notches, three-point rule or hook rule

TECHNICAL DATA

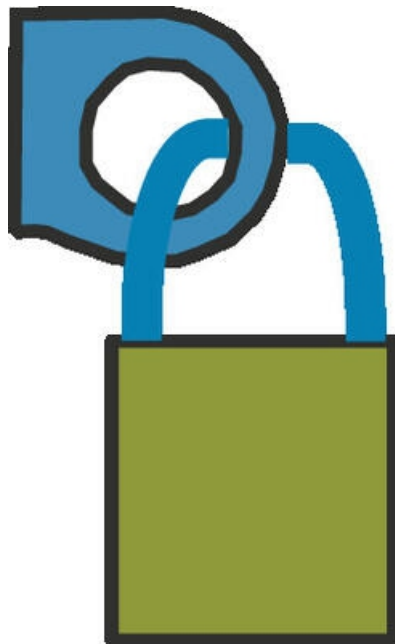
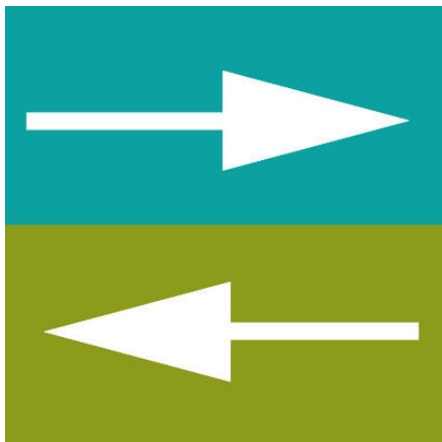
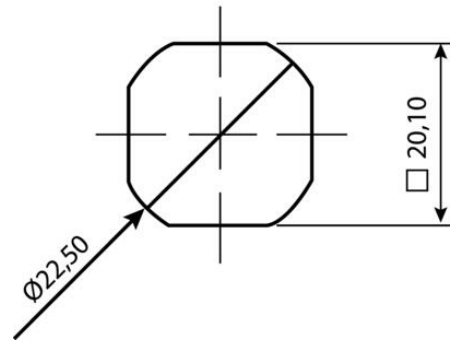
Material	Stainless steel AISI 304
----------	--------------------------



IP65



COMBI



IP65

