

STAINLESS COMPRESSION LOCK 35MM

243087-01

Compression lock 35mm, Hexagon 11, Stainless steel 304

- 35mm lock housing
- IP65
- 90°
- Compact and stainless
- 6mm compression



PRODUCT DESCRIPTION

Stainless compression lock 35 mm. Locks and compresses through a 180° rotation. The first 90° rotation locks the rule, the second 90° rotation compresses the rule 6 mm. This is illustrated in the drawing below.

The lock is delivered assembled, IP65.

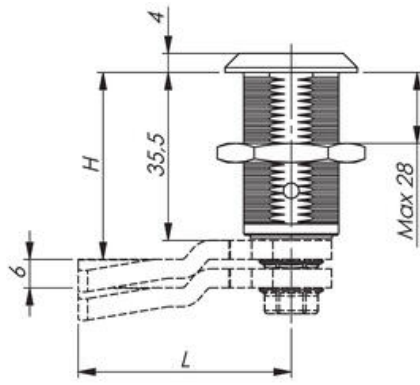
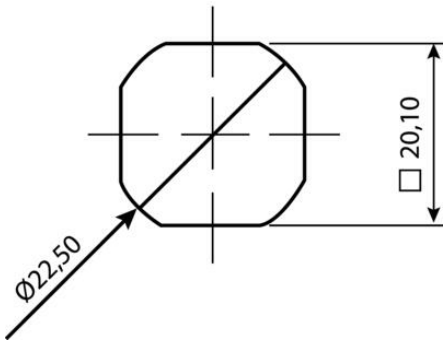
Please note that rule is ordered separately. Select rule without allocation.

- Vibration resistant according to DIN EN 61373
- Watertight according to NEMA 4
- Integrated PUR gasket
- Universal left / right

TECHNICAL DATA

Configurable	No
Material lock housing	Stainless steel AISI 304
Material nut	Stainless steel 303
Opening angle	90 °

 COMBI



 COMBI

