

QUARTER-TURN WING KNOB 18MM STAINLESS STEEL

249085

Wing knob 18mm, stainless steel 316, padlockable

- Acid resistant
- Lockable with padlock
- IP65
- 18mm locking housing
- Compact



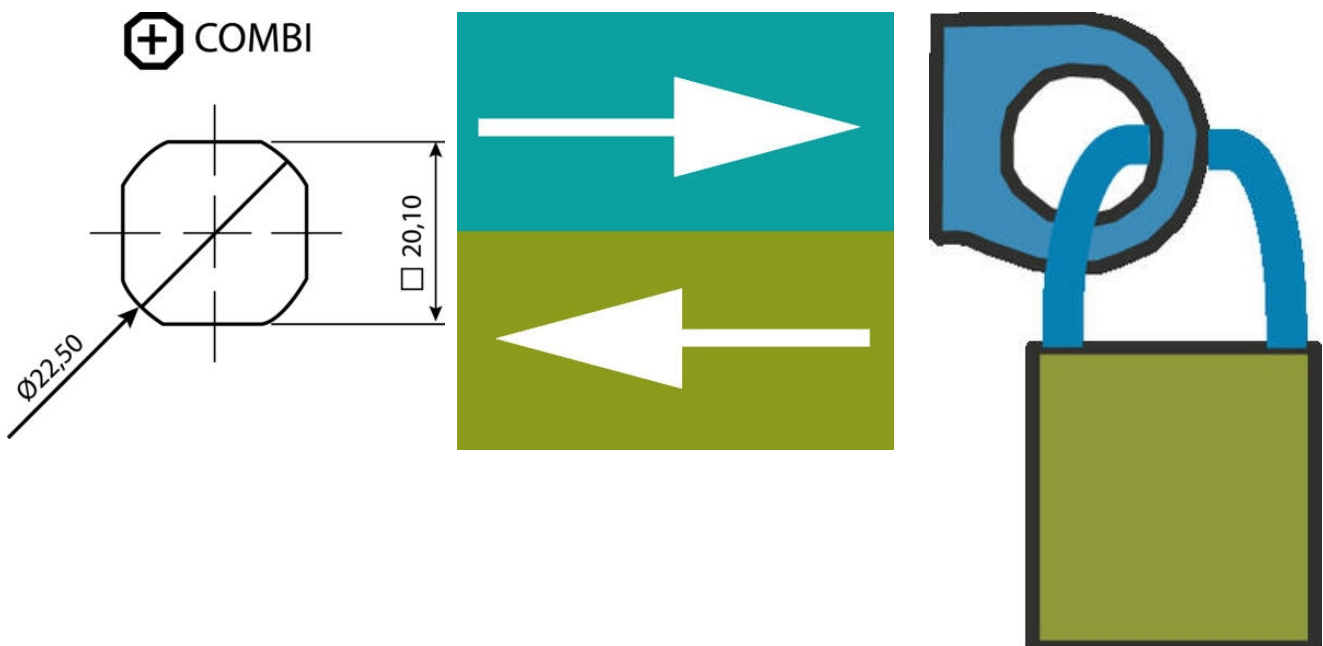
PRODUCT DESCRIPTION

Knob for 90° rotation, lockable with padlock. Made of acid-resistant steel (316). The rotation of the knob is blocked with the padlock bracket. Universal design with clockwise or counter-clockwise rotation when opening/closing. Supplied with nut. Protection class IP65.

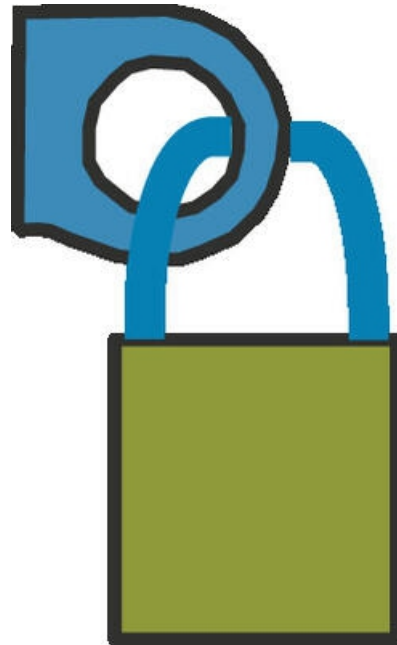
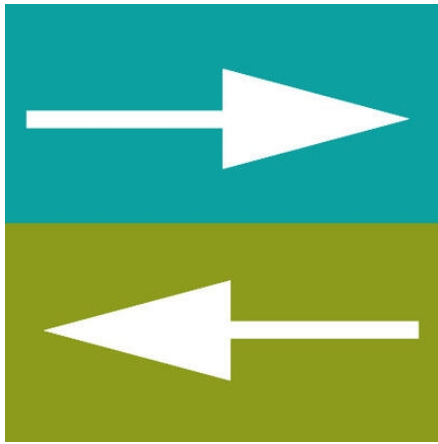
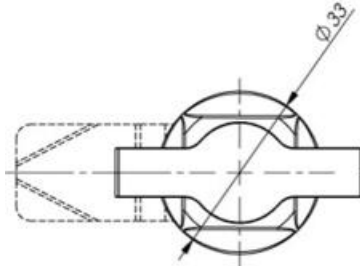
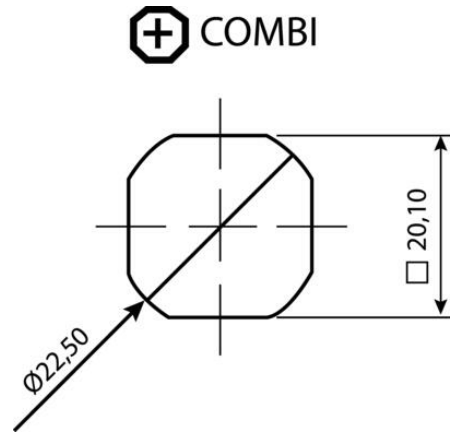
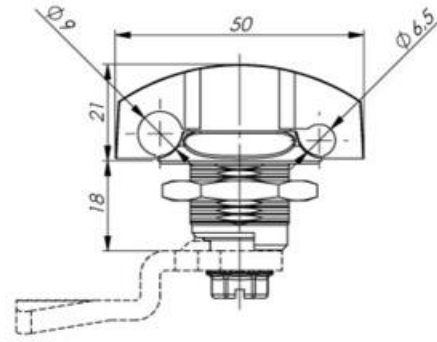
Please note that rule is ordered separately. Select: rule with allowance

TECHNICAL DATA

Configurable	No
Material	Stainless Steel SIS2350 (316)



IP65



IP65