

QUARTER-TURN 18MM T-HANDLE

2510-000650-1845

Quarter-turn T-handle, 18mm, non-locking, black, IP65, 18/45mm

- With or without lock cylinder
- 18mm lock housing
- IP65 / HNS on request



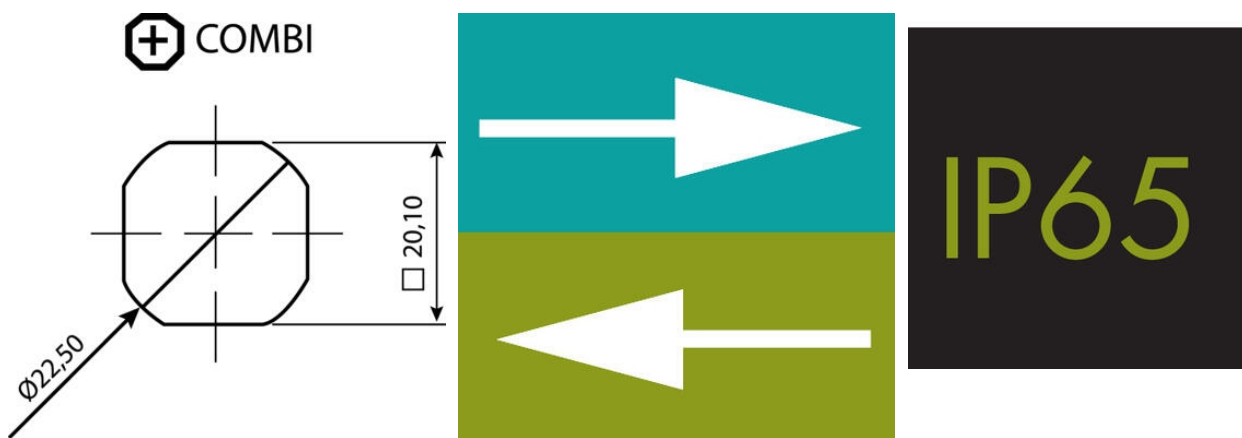
PRODUCT DESCRIPTION

T-handle with 90° rotation in locking or non-locking version. Universal design with a hole that enables clockwise or counter-clockwise rotation when opening / locking. Supplied with nut and two keys. Protection class IP65.

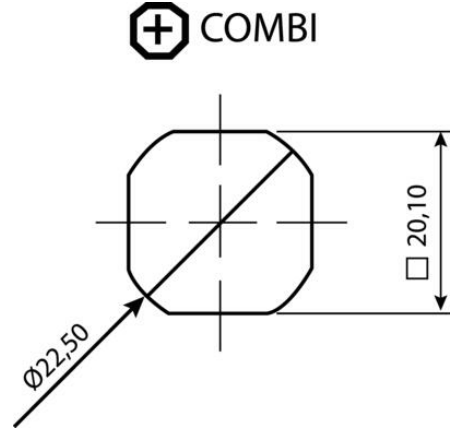
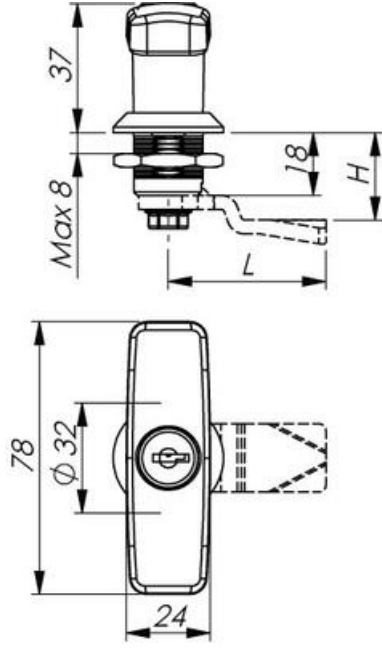
Master key system on request.

TECHNICAL DATA

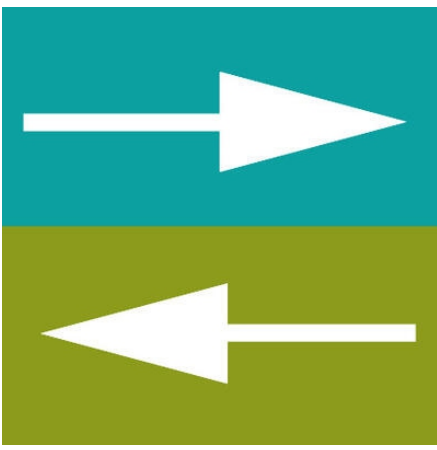
Colour	Black
Configurable	Yes
Dimension H	18 mm
Dimension L	45 mm
Material	Zinc, black powder coated
Material rule	Zinc-plated steel
Opening angle	90 °



QUARTER TURN HANDLE - 18 mm (AAAA R0029F 0000)													
AAAA	Handle	1	Nut	2	Pin	3	Pin	4	Pin	5			
2500	T-handle 18 mm	1	Standard nut	00	Non-locking	2	Chrome	0	IP54 - Not assembled	0	Steel	-0000	0100
		1	Barthing nut	00	0200	0	Black	1	IP54 - Not assembled	0	Steel	-0445	4145
				00	0200	0		1	IP54 - Enchased cam	0		-0845	6145
				00	0200	0		1	IP54 - Enchased cam	0		-0845	6145
				00	0200	0		1	IP54 - Assembled	0		-1045	10145
				00	0200	0		1	IP65 - Assembled	0		-1245	12145
				00	0200	0		1	IP65 - Assembled	0		-1445	14145
				00	0200	0		1	IP65 - Assembled	0		-1645	16145
				00	0200	0		1	IP65 - Assembled	0		-1845	18145
				00	0200	0		1	IP65 - Assembled	0		-2045	20145
				00	0200	0		1	IP65 - Assembled	0		-2245	22145
				00	0200	0		1	IP65 - Assembled	0		-2445	24145
				00	0200	0		1	IP65 - Assembled	0		-2645	26145
				00	0200	0		1	IP65 - Assembled	0		-2845	28145
				00	0200	0		1	IP65 - Assembled	0		-3045	30145
				00	0200	0		1	IP65 - Assembled	0		-3245	32145
				00	0200	0		1	IP65 - Assembled	0		-3445	3445
				00	0200	0		1	IP65 - Assembled	0		-3645	36145
				00	0200	0		1	IP65 - Assembled	0		-3845	38145
				00	0200	0		1	IP65 - Assembled	0		-4045	40145
				00	0200	0		1	IP65 - Assembled	0		-4245	42145
				00	0200	0		1	IP65 - Assembled	0		-4445	44145
				00	0200	0		1	IP65 - Assembled	0		-4645	46145
				00	0200	0		1	IP65 - Assembled	0		-4845	48145
				00	0200	0		1	IP65 - Assembled	0		-5045	50145



COMBI



IP65

QUARTER TURN HANDLE - 18 mm (AAAA R0029F 0000)													
AAAA	Handle	1	Nut	2	Pin	3	Pin	4	Pin	5			
2500	T-handle 18 mm	1	Standard nut	00	Non-locking	2	Chrome	0	IP54 - Not assembled	0	Steel	-0000	0100
		1	Barthing nut	00	0200	0	Black	1	IP54 - Not assembled	0	Steel	-0445	4145
				00	0200	0		1	IP54 - Enchased cam	0		-0845	6145
				00	0200	0		1	IP54 - Enchased cam	0		-0845	6145
				00	0200	0		1	IP54 - Assembled	0		-1045	10145
				00	0200	0		1	IP65 - Assembled	0		-1245	12145
				00	0200	0		1	IP65 - Assembled	0		-1445	14145
				00	0200	0		1	IP65 - Assembled	0		-1645	16145
				00	0200	0		1	IP65 - Assembled	0		-1845	18145
				00	0200	0		1	IP65 - Assembled	0		-2045	20145
				00	0200	0		1	IP65 - Assembled	0		-2245	22145
				00	0200	0		1	IP65 - Assembled	0		-2445	24145
				00	0200	0		1	IP65 - Assembled	0		-2645	26145
				00	0200	0		1	IP65 - Assembled	0		-2845	28145
				00	0200	0		1	IP65 - Assembled	0		-3045	30145
				00	0200	0		1	IP65 - Assembled	0		-3245	32145
				00	0200	0		1	IP65 - Assembled	0		-3445	3445
				00	0200	0		1	IP65 - Assembled	0		-3645	36145
				00	0200	0		1	IP65 - Assembled	0		-3845	38145
				00	0200	0		1	IP65 - Assembled	0		-4045	40145
				00	0200	0		1	IP65 - Assembled	0		-4245	42145
				00	0200	0		1	IP65 - Assembled	0		-4445	44145
				00	0200	0		1	IP65 - Assembled	0		-4645	46145
				00	0200	0		1	IP65 - Assembled	0		-4845	48145
				00	0200	0		1	IP65 - Assembled	0		-5045	50145

