

## QUARTER-TURN STAINLESS 18MM LOCK

2313-3053532245

Quarter-turn 18mm, SS 303, square 8, IP65 assembled, 22/45mm

- 18mm lock housing
- IP65
- 90°
- Stainless/acid resistant
- Configurable



### PRODUCT DESCRIPTION

A complete lock consists of lock housing, nut, insert, washer, screw and rule.

This variant is structured with a product key, which is resolved together with the product manager.

Lock housing: Stainless steel.

Nut: Stainless steel

Lock housing variant: square with size 8

Material Lock housing: Stainless steel

Ip class: IP65 assembled

Rule: Stainless steel

H/L measurements: 22/45 mm

To achieve a higher tightness class, IP65 \*, you add an O-ring and flat gasket (included in option "IP65"). The locks can be delivered unassembled, preassembled with enclosed rule or in complete assembled condition.

\*=also rated "Waterproof according to NEMA 4".

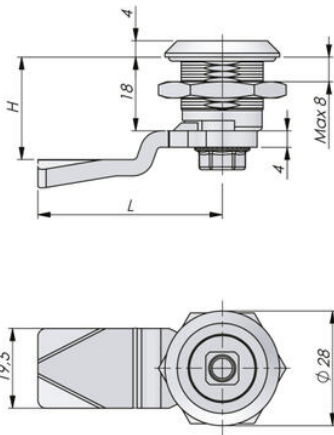
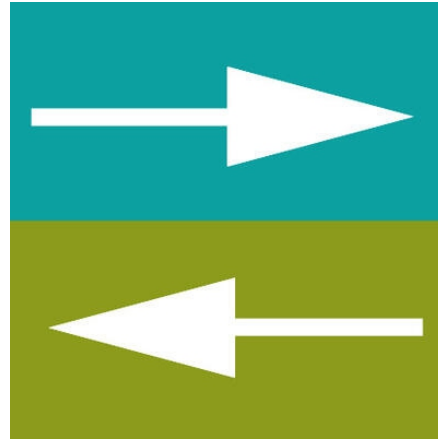
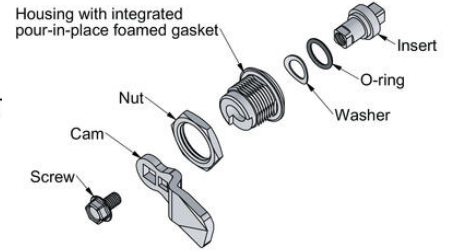
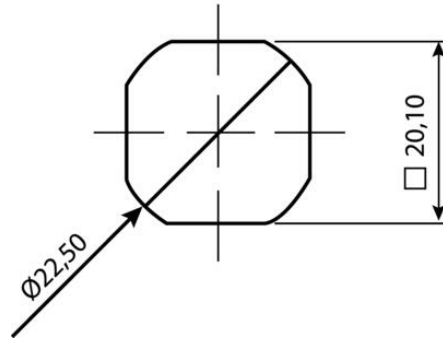
Example: Lock housing - stainless A=28 B=4, nut - stainless, insert Square 8 - RF, IP65 / NEMA 4 mounting and rule - stainless for H=22 gives the following article number: 2313-305353-2245.

Tightness class IP65/NEMA4 is obtained by mounting an O-ring on the insert and a seal on the lock housing.

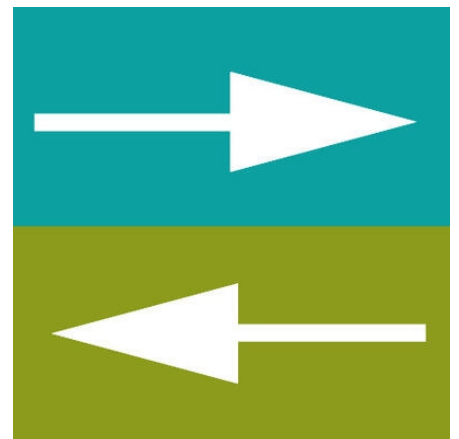
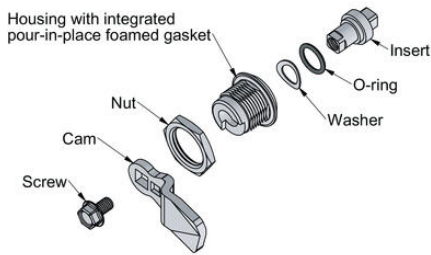
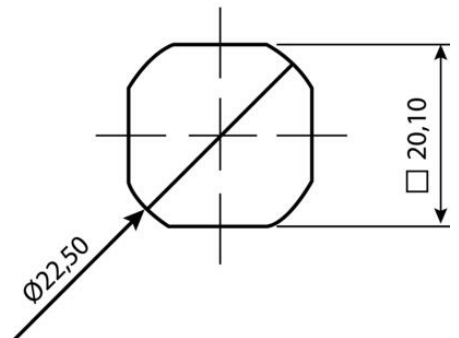
### TECHNICAL DATA

<b>Configurable</b>	Yes
<b>Dimension H</b>	22 mm
<b>Dimension L</b>	45 mm
<b>Material lock housing</b>	Stainless steel 303
<b>Material rule</b>	Stainless steel AISI 304
<b>Opening angle</b>	90 °

AA	BA	CA	DA	EA	FA	GA	HA	IA	JA	KA	LA	MA	NA	OA	PA	QA	RA	SA	TA	UA	VA	WA	XA	YA	ZA
2210	2210	2210	2210	2210	2210	2210	2210	2210	2210	2210	2210	2210	2210	2210	2210	2210	2210	2210	2210	2210	2210	2210	2210	2210	2210



AA	BA	CA	DA	EA	FA	GA	HA	IA	JA	KA	LA	MA	NA	OA	PA	QA	RA	SA	TA	UA	VA	WA	XA	YA	ZA
2210	2210	2210	2210	2210	2210	2210	2210	2210	2210	2210	2210	2210	2210	2210	2210	2210	2210	2210	2210	2210	2210	2210	2210	2210	2210



IP65

