

COMPRESSION LATCH 35MM STAINLESS

243096-01

Compression latch, 35mm, stainless steel, hexagon 11

- Adjustable depth
- 6mm compression
- Vibration resistant
- IP65



PRODUCT DESCRIPTION

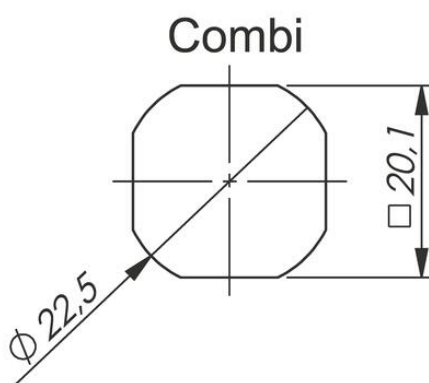
Adjustable compression lock 35 mm. Extended collar makes this lock suitable on thick panels. Locks and compresses through a 180° rotation. The first 90° rotation locks the rule, the second 90° rotation compresses the rule 6 mm.

The external threaded rod makes it possible to place the rule along its entire length and thus be able to adjust the H dimension to the desired dimension. The adjustability is 11.5 mm. Fix the rule using the associated counter nuts. The overall length of the threaded rod (L) varies between 41 mm, in the open position, to 35 mm in the compressed position.

The lock is delivered assembled with IP class IP65, also according to NEMA 4.
Please note that rule is ordered separately.

TECHNICAL DATA

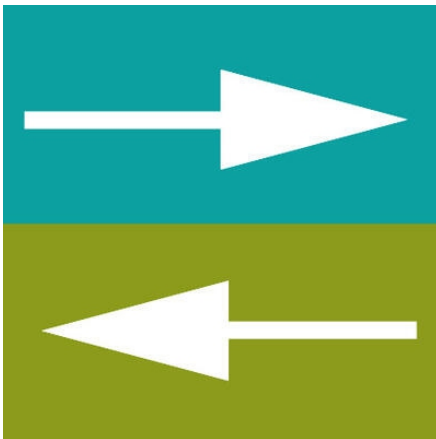
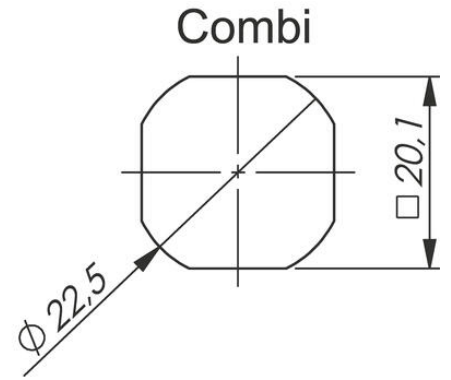
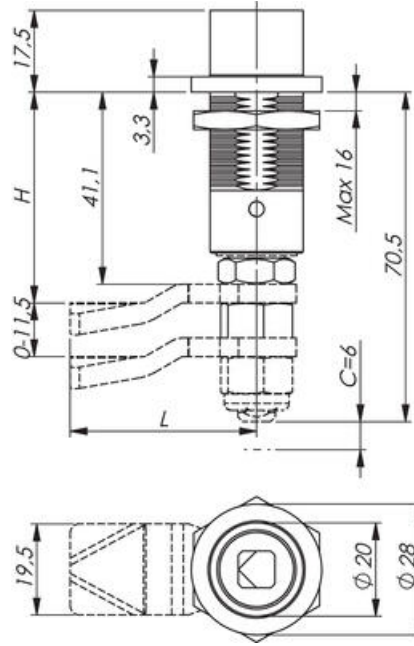
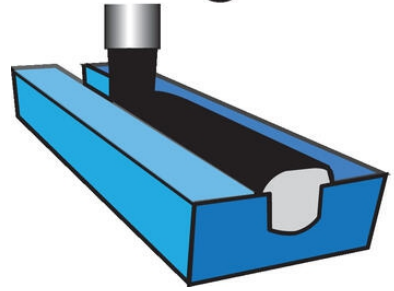
Configurable	No
Material	Stainless steel AISI 304
Opening angle	90 °



IP65

NEMA
4

Integrated
PUR-gasket



DIN EN
61373

IP65



Integrated PUR-gasket

