

## LEGEND PLATES

### Legend plate frames & inserts

#### LWP2

#### Legend Plate Holder Twintouch (For LIA Inserts)

- Standard or large width frames
- 5 legend insert colour options
- Option for custom engraved texts
- Option for twin touch head



### PRODUCT DESCRIPTION

Legend plate frames are mounted on the pushbutton head before installation in the panel and the inserts are simply snapped into the legend plate frame.

Inserts are available in red, black, white, transparent or standard silver.

LIAx are standard width inserts for 2 lines of up to 13 characters.

LIBx are large width inserts for 2 lines of up to 18 characters.

LWP3 is the standard frame for LIAx inserts.

LWG3 is the standard frame for LIBx inserts.

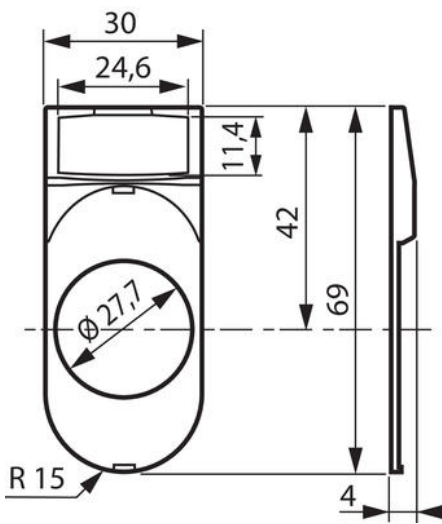
LWP4 is a square profile frame for LIAx inserts

LWP2 is for twin & tripple touch heads for LIAx inserts.

All options below are for blank legend plate inserts but we can offer a wide range of pre engraved inserts of standard texts or symbols. We can also custom engrave the inserts to your exact requirement, please contact us for more details.

## TECHNICAL DATA

<b>Approvals</b>	UL 508, CSA 22.2, BV, CB, CE
<b>Climatic resistance - constant humid heat</b>	IEC 60068-2-3
<b>Climatic resistance - cyclic damp heat</b>	IEC 60068-2-30
<b>Climatic resistance - sea air</b>	IEC 60068-2-52
<b>Storage temperature max</b>	70 °C
<b>Storage temperature min</b>	-40 °C
<b>Temperature operational max</b>	70 °C
<b>Temperature operational min</b>	-25 °C



Standardtest					
Test	Kod	Test	Kod	Test	Kod
Agren	501	Hand: 2: A-Ad	501	Prövt: 2:5	501
Auto	513	Hand: A-Ad	503	Prövt: 3:5	503
Clamp	214	2:5	502	Prövt: 2:5	502
Clamp	516	2:5	504	Prövt: 3:5	504
Flare	215	2:5	505	Prövt: 2:5	505
Forward	305	2:5	506	Prövt: 2:5	506
Hand	502	2:5	507	Prövt: 2:5	507

Standardtyckor SIOON					
Bezeichnung	Symbol	Kod	Bezeichnung	Symbol	Kod
Agren	(I)	A01	Agren	(II)	A02
Agren	(II)	A03	Agren	(III)	A04
Agren	(III)	A05	Agren	(IV)	A06
Agren	(IV)	A07	Agren	(V)	A08
Agren	(V)	A09	Agren	(VI)	A10
Agren	(VI)	A11	Agren	(VII)	A12
Agren	(VII)	A13	Agren	(VIII)	A14
Agren	(VIII)	A15	Agren	(IX)	A16
Agren	(IX)	A17	Agren	(X)	A18
Agren	(X)	A19	Agren	(XI)	A20
Agren	(XI)	A21	Agren	(XII)	A22
Agren	(XII)	A23	Agren	(XIII)	A24
Agren	(XIII)	A25	Agren	(XIV)	A26
Agren	(XIV)	A27	Agren	(XV)	A28
Agren	(XV)	A29	Agren	(XVI)	A30
Agren	(XVI)	A31	Agren	(XVII)	A32
Agren	(XVII)	A33	Agren	(XVIII)	A34
Agren	(XVIII)	A35	Agren	(XIX)	A36
Agren	(XIX)	A37	Agren	(XX)	A38
Agren	(XX)	A39	Agren	(XXI)	A40
Agren	(XXI)	A41	Agren	(XXII)	A42
Agren	(XXII)	A43	Agren	(XXIII)	A44
Agren	(XXIII)	A45	Agren	(XXIV)	A46
Agren	(XXIV)	A47	Agren	(XXV)	A48
Agren	(XXV)	A49	Agren	(XXVI)	A50
Agren	(XXVI)	A51	Agren	(XXVII)	A52
Agren	(XXVII)	A53	Agren	(XXVIII)	A54
Agren	(XXVIII)	A55	Agren	(XXIX)	A56
Agren	(XXIX)	A57	Agren	(XXX)	A58
Agren	(XXX)	A59	Agren	(XXXI)	A60
Agren	(XXXI)	A61	Agren	(XXXII)	A62
Agren	(XXXII)	A63	Agren	(XXXIII)	A64
Agren	(XXXIII)	A65	Agren	(XXXIV)	A66
Agren	(XXXIV)	A67	Agren	(XXXV)	A68
Agren	(XXXV)	A69	Agren	(XXXVI)	A70
Agren	(XXXVI)	A71	Agren	(XXXVII)	A72
Agren	(XXXVII)	A73	Agren	(XXXVIII)	A74
Agren	(XXXVIII)	A75	Agren	(XXXIX)	A76
Agren	(XXXIX)	A77	Agren	(XL)	A78
Agren	(XL)	A79	Agren	(XLI)	A80
Agren	(XLI)	A81	Agren	(XLII)	A82
Agren	(XLII)	A83	Agren	(XLIII)	A84
Agren	(XLIII)	A85	Agren	(XLIV)	A86
Agren	(XLIV)	A87	Agren	(XLV)	A88
Agren	(XLV)	A89	Agren	(XLVI)	A90
Agren	(XLVI)	A91	Agren	(XLVII)	A92
Agren	(XLVII)	A93	Agren	(XLVIII)	A94
Agren	(XLVIII)	A95	Agren	(XLIX)	A96
Agren	(XLIX)	A97	Agren	(L)	A98
Agren	(L)	A99	Agren	(LI)	A99

Tilläggsstandardtyckor					
Symbol	Kod	Symbol	Kod	Symbol	Kod
(I)	A01	(II)	A02	(III)	A03
(IV)	A04	(V)	A05	(VI)	A06
(VII)	A07	(VIII)	A08	(IX)	A09
(X)	A10	(XI)	A11	(XII)	A12
(XIII)	A13	(XIV)	A14	(XV)	A15
(XVI)	A16	(XVII)	A17	(XVIII)	A18
(XIX)	A19	(XX)	A20	(XXI)	A21
(XXII)	A22	(XXIII)	A23	(XXIV)	A24
(XXV)	A25	(XXVI)	A26	(XXVII)	A27
(XXVIII)	A28	(XXIX)	A29	(XXX)	A30
(XXXI)	A31	(XXXII)	A32	(XXXIII)	A33
(XXXIV)	A34	(XXXV)	A35	(XXXVI)	A36
(XXXVII)	A37	(XXXVIII)	A38	(XXXIX)	A39
(XL)	A40	(XLI)	A41	(XLII)	A42
(XLIII)	A43	(XLIV)	A44	(XLV)	A45
(XLVI)	A46	(XLVII)	A47	(XLVIII)	A48
(XLIX)	A49	(L)	A50	(LI)	A51
(LII)	A52	(LIII)	A53	(LIV)	A54
(LV)	A55	(LVI)	A56	(LVII)	A57
(LVIII)	A58	(LX)	A59	(LXI)	A60
(LXII)	A61	(LXIII)	A62	(LXIV)	A63
(LXV)	A64	(LXVI)	A65	(LXVII)	A66
(LXVIII)	A67	(LXIX)	A68	(LXX)	A69
(LXXII)	A70	(LXXIII)	A71	(LXXIV)	A72
(LXXVI)	A73	(LXXVII)	A74	(LXXVIII)	A75
(LXXX)	A76	(LXXXI)	A77	(LXXXII)	A78
(LXXXIV)	A79	(LXXXV)	A80	(LXXXVI)	A81
(LXXXVIII)	A82	(LXXXIX)	A83	(LXXXX)	A84
(LXXXXIV)	A85	(LXXXXV)	A86	(LXXXXVI)	A87
(LXXXXVIII)	A88	(LXXXXIX)	A89	(LXXXXX)	A90