

COMPACT LOOP HEATER 10 - 50W - LPS 164

LPS

16400.0-00
LP 164, 10W Slim line loop heater, 110V-265V ac/dc,
VDE approved

- Compact with small foot print
- Pre-cabled
- Wide voltage range
- PTC technology
- UL version available



PRODUCT DESCRIPTION

Compact Slim line PTC loop heater designed for continuous operation. The new loop design increases the efficiency of the chimney heating effect and has enabled the width to be reduced, saving space in the enclosures

TECHNICAL DATA

GENERAL DATA

Heat source	Self-regulating PTC-element
Nominal voltage	120-240 V AC/DC
Connection type	3 pressure clamps for stranded wire 0.5-1.5mm ² and rigid wire 0.5- 2.5mm ²
Recommended fuse (slow blow)	4 A
Starting current max	2 A
Heat output	10 W
Mounting	DIN-rail 35mm
Heater body	Anodized aluminum

DIMENSIONS

Weight	0,2 kg
Depth	76 mm
Width	25 mm
Height	60 mm

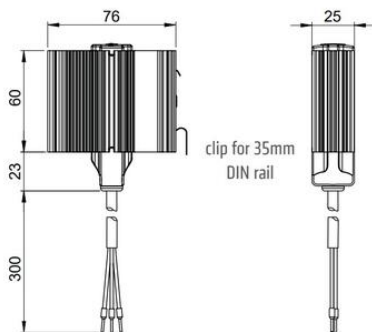
SAFETY & APPROVALS

IP class	IP20
----------	------

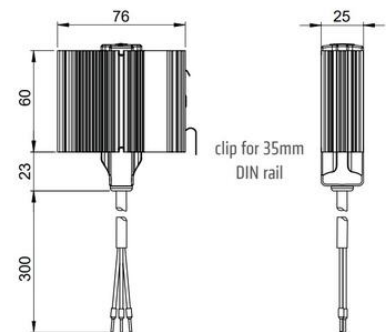
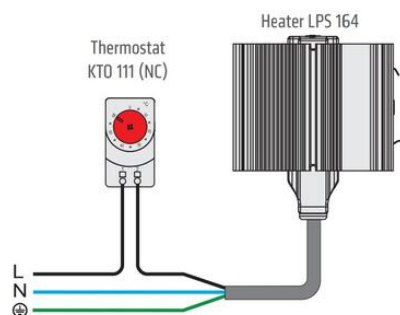
Protection class	I (earthed)
Approvals	RoHS 3, CE, UKCA, cRUus, EAC, VDE

RATED OPERATING CONDITIONS

Operational temperature	-45°C ... +70°C
Storage temperature	-45°C ... +70°C
Humidity storage	<90% RH
Operating humidity	<90% RH
Voltage min	110V
Voltage max	265V
Housing	Anodized aluminium



Example of connection



Example of connection

