

# KUEBLER - ABSOLUTE-CODED ANGULAR TRANSMITTER SENDIX F3668 / F3688, OPTICAL, CANOPEN, Ø36 MM SERIE F3668

- Housing diameter Ø36 mm
- CANopen
- Safety-Lock™
- Up to 16 + 16 bit resolution



## PRODUCT DESCRIPTION

The Sendix F3668 / F3688 is a series of multivalved optical axes with CANopen interface and a resolution of up to 16 + 16 bits despite its compact size of 36x42 mm. The sensor also has high enclosure class, shock resistance and a wide temperature range. The sensor is therefore very suitable for applications where extreme environments or temperatures can occur, such as mobile applications. The sensor is supplied with a tangential cable, which means that there is no exposed cable input on the sensor, but it is embedded in the housing itself to increase impact on impact and impact. The Sendix F3668 / F3688 is also available in a salt water resistant version.

Please refer to the images below for ordering information.

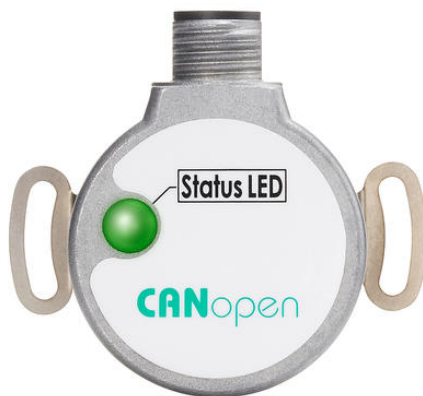
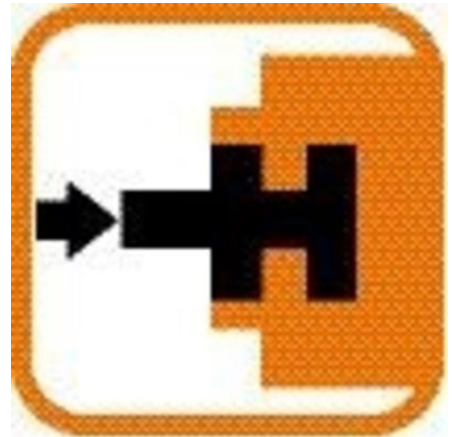
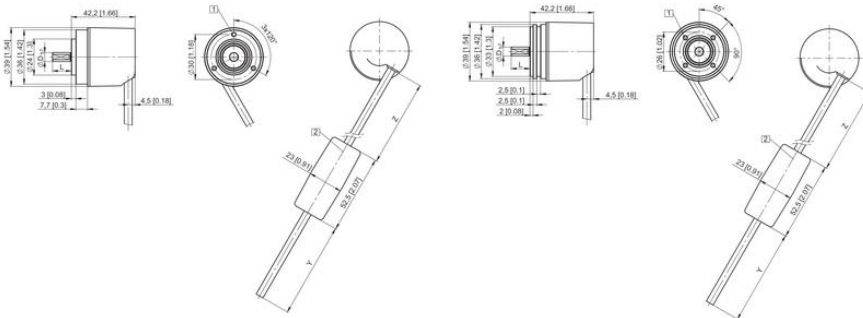
Order code	8.F3668 . XX2X . 21 22					
Shaft version	Type	a	b	c	d	e
<b>a</b> Flange						
1 = clamping flange, IP67, ø 36 mm [1.42"]						
3 = clamping flange, IP65, ø 36 mm [1.42"]						
2 = synchro flange, IP67, ø 36 mm [1.42"]						
<b>4 = synchro flange, IP65, ø 36 mm [1.42"]</b>						
<b>b</b> Shaft (ø x L), with flat						
1 = ø 6 x 12.5 mm [0.24 x 0.49"]						
<b>3 = ø 8 x 15 mm [0.32 x 0.49"]</b>						
5 = ø 10 x 20 mm [0.39 x 0.79"]						
2 = ø 1/4" x 12.5 mm [0.49"]						
4 = ø 3/8" x 5/8"						
<b>c</b> Interface / power supply						
<b>2 = CANopen DS301 V4.02 / 10 ... 30 V DC</b>						
<b>d</b> Type of connection						
<b>1 = tangential cable, 1 m [3.28'] PUR</b>						
3 = tangential cable, 5 m [16.40'] PUR						
U = tangential cable, 10 m [32.81'] PUR						
<b>e</b> Fieldbus profile						
<b>21 = CANopen</b>						
						Optional on request - surface protection salt spray tested

Order code	8.F3688 . XX2X . 21 22					
Hollow shaft	Type	a	b	c	d	e
<b>a</b> Flange						
1 = with spring element, short, IP65						
3 = with spring element, long, IP65						
<b>2 = with stator coupling, IP65, ø 46 mm [1.81"]</b>						
<b>b</b> Blind hollow shaft (insertion depth max. 14.5 mm [0.57"])						
5 = ø 6 mm [0.24"]						
7 = ø 8 mm [0.32"]						
<b>4 = ø 10 mm [0.39"]</b>						
6 = ø 1/4"						
<b>c</b> Interface / power supply						
<b>2 = CANopen DS301 V4.02 / 10 ... 30 V DC</b>						
<b>d</b> Type of connection						
<b>1 = tangential cable, 1 m [3.28'] PUR</b>						
3 = tangential cable, 5 m [16.40'] PUR						
U = tangential cable, 10 m [32.81'] PUR						
<b>e</b> Fieldbus profile						
<b>21 = CANopen</b>						
						Optional on request - surface protection salt spray tested

## TECHNICAL DATA

Connection	Cable
Housing diameter	36 mm

<b>IP class</b>	IP65, IP67
<b>Mounting</b>	Shoulder
<b>Output</b>	CANopen
<b>Resolution</b>	16+16 bit
<b>Sensor type</b>	Absolute
<b>Shaft diameter max</b>	10 mm
<b>Shaft diameter min</b>	6 mm
<b>Supply voltage dc max</b>	30 V DC
<b>Supply voltage dc min</b>	10 V DC
<b>Temperature operational max</b>	85 °C
<b>Temperature operational min</b>	-40 °C
<b>Version</b>	Multiturn



**Terminal assignment**

Signal:	+U <sub>B</sub>	0 V	CAN GND	CAN High	CAN Low
Cable colour:	BN	WH	GY	GN	YE