

## EFFILUX LINE3 POWERFUL LED LINE LIGHT

Effilux - Line3

EFFI-LINE3-200-465

EFFI-LINE3-200-465 - Length: 200mm, Color: Blue



- Illumination Mode - Continuous or strobe
- IP5X (dust protected) / IP67 version available
- Operation environment - Temperature: 0°C to 50°C - Humidity: 20 to 85%RH (with no condensation) - Altitude: Up to 2000m

### PRODUCT DESCRIPTION

EFFI-Line3 is the new generation of LED line light intended for linescan applications designed and manufactured by Effilux.

The light has all the requested qualities for this type of application as a large homogeneity, very high power and an excellent collimation.

- Versatility. Efficient over a wide range of working distances with scalable power and homogeneity according to the needs.
- Built-in driver for continuous mode or strobe mode, with analog intensity control (AIC) allowing to adjust the output power.

Robust design for inspection in rough environments.

What applications can I use line light for?

EFFILUX high uniformity LED line lights can be used in conjunction with line scan cameras for line scan inspection application such as:

- Web inspections (such as films, paper, cotton, textiles)
- Sorting & packaging (such as refuse, postal mail, foodstuffs, packaging)
- Transport-related applications (such as underfloor, rail, overhead line, and container inspections)
- Large area continuous web applications: paper, textiles, wood, etc
- High speed inspections for printing industry
- Code reading: QR codes, barcodes, etc. Inspection of transparent and/or reflective objects: film, glass, metal, coated surface, solar panels.
- Inspection of transparent and/or reflective objects: film, glass, metal, coated surface, solar panels

About EFFILUX -

EFFILUX designs and manufactures powerful technical LED lighting systems for machine vision, quality control, scientific imaging, biomedical and any optical measuring device.

Effilux has used all its expertise and its 13 years of experience in the field of machine vision to design a versatile and easy-to-use light that has all the qualities required for linear applications.

With machine vision LED lighting designed to easily adapt in the field and highly robust in design, EFFILUX are revolutionising with their interchangeable lens and filter solutions.

Do you think your application could benefit from these new LED line lights?

Find out more by emailing [vision@oem.co.uk](mailto:vision@oem.co.uk) or calling 01162849900

## TECHNICAL DATA

### TECHNICAL DATA

IP class	IP5X
----------	------

Supply voltage 24 V DC

Wavelength 465

Colour Blue

Operating temperature 0-50°C

Standard cable length 500mm

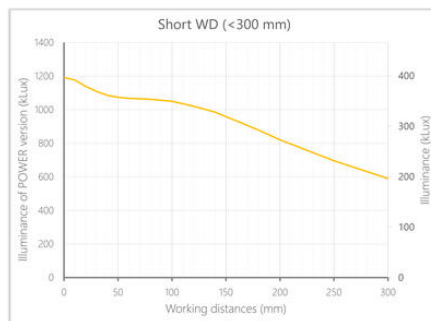
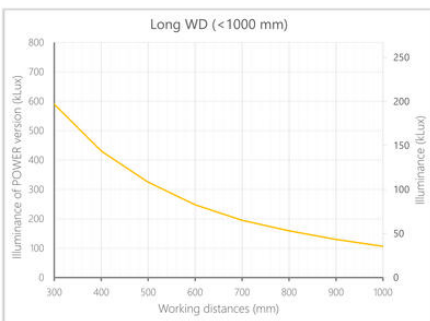
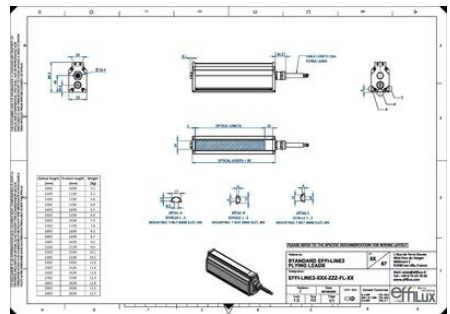
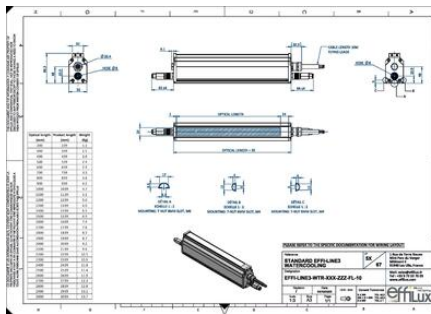
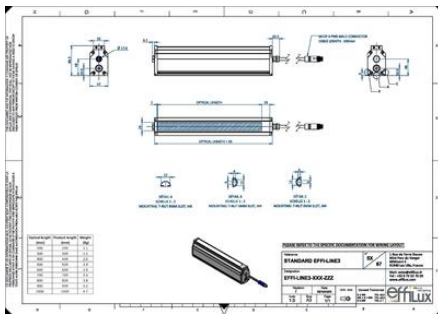
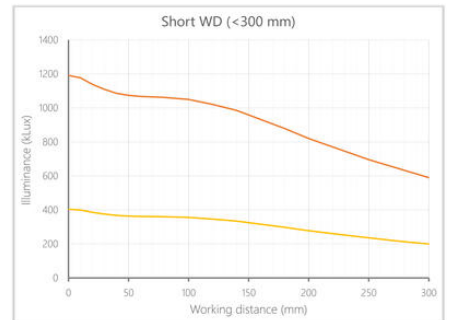
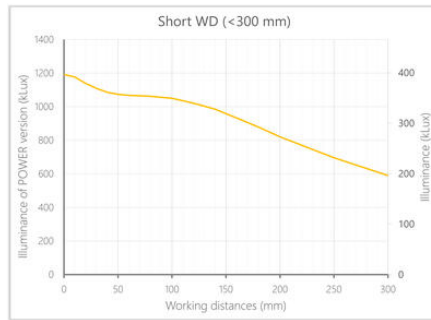
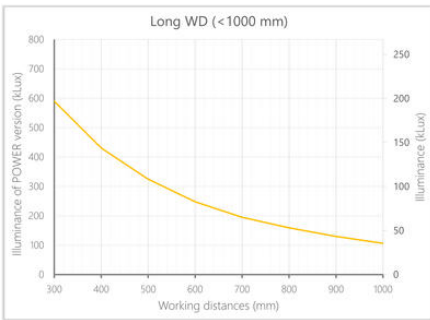
Length 200 mm

Width 52 mm

Connector/controller M12, 4P

Approvals CE, UKCA, REACH, RoHS

Housing material Aluminium



**STANDARD EPIFLUX**  
EPIFLUXES-KXX-ZZZ

STANDARD EPIFLUXES  
 EPIFLUXES WITH KXX-ZZZ-FL-10

15 16 17 18 19 20 21 22 23 24 25 26 27 28 29 30 31 32 33 34 35 36 37 38 39 40 41 42 43 44 45 46 47 48 49 50 51 52 53 54 55 56 57 58 59 60 61 62 63 64 65 66 67 68 69 70 71 72 73 74 75 76 77 78 79 80 81 82 83 84 85 86 87 88 89 90 91 92 93 94 95 96 97 98 99 100

**STANDARD EPIFLUXES**  
EPIFLUXES-KXX-ZZZ-FL-10

STANDARD EPIFLUXES  
 EPIFLUXES WITH KXX-ZZZ-FL-10

15 16 17 18 19 20 21 22 23 24 25 26 27 28 29 30 31 32 33 34 35 36 37 38 39 40 41 42 43 44 45 46 47 48 49 50 51 52 53 54 55 56 57 58 59 60 61 62 63 64 65 66 67 68 69 70 71 72 73 74 75 76 77 78 79 80 81 82 83 84 85 86 87 88 89 90 91 92 93 94 95 96 97 98 99 100

**STANDARD EPIFLUXES**  
EPIFLUXES-KXX-ZZZ-FL-XX

STANDARD EPIFLUXES  
 EPIFLUXES WITH KXX-ZZZ-FL-XX

15 16 17 18 19 20 21 22 23 24 25 26 27 28 29 30 31 32 33 34 35 36 37 38 39 40 41 42 43 44 45 46 47 48 49 50 51 52 53 54 55 56 57 58 59 60 61 62 63 64 65 66 67 68 69 70 71 72 73 74 75 76 77 78 79 80 81 82 83 84 85 86 87 88 89 90 91 92 93 94 95 96 97 98 99 100