

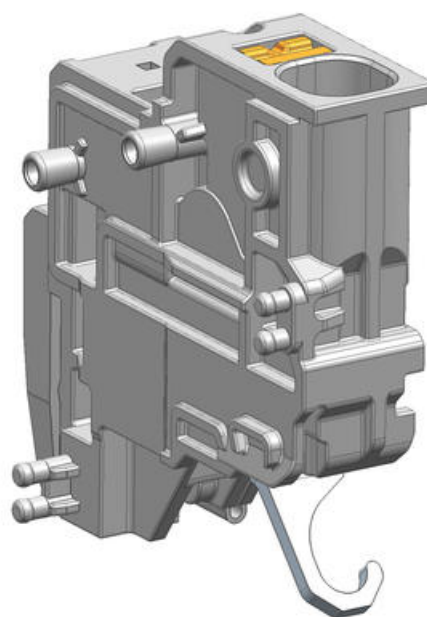
PTKS PUSH IN TRANSFORMER TERMINALS

PTKS

27080.6

PTKS 4/1 Grey, 4mm², 1-pole Push-in terminal

- Push-In technology
- Protective covers
- Cross Connectable
- Clip together



PRODUCT DESCRIPTION

TECHNICAL DATA

GENERAL DATA

Colour	Grey
Rated cross section	4 mm ²
Rated current	32 A
Rated voltage	800 V
Rated impulse voltage	8 kV
Overvoltage category	III
Contamination degree	3

DIMENSIONS

Length	32,5 mm
Width	8,1 mm
Height	35,4 mm

CONNECTION DATA

Connections	1
Cross connect channels	1

Cross section single wire from	0,5 mm ²
Cross section single wire to	6 mm ²
Cross section stranded wire from	0,5 mm ²
Cross section stranded wire to	4 mm ²
Cross section stranded with ferrule from	0,5 mm ²
Cross section stranded with ferrule to	4 mm ²
Rated wire cross section from (AWG)	21
Rated wire cross section to (AWG)	10
Stripping length	12 mm

MATERIALS

Material	Polyamide 6.6
Insulation material	Polyamide 6.6
Flammability class	V-0
Operating temperature from	-40 °C
Operating temperature to	120 °C

APPROVALS

KEMA KEUR test standard	EN 60947-7-1:2009
-------------------------	-------------------

ADDITIONAL DATA

Tariff code	85369010
Country of origin	DE
Weight	5,29 g
Pack size	50

