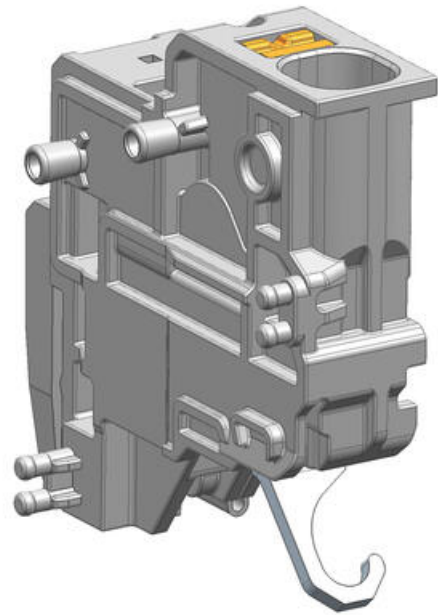


PTKS PUSH IN TRANSFORMER TERMINALS

PTKS

27080.6
PTKS 4/1 Grey, 4mm², 1-pole Push-in terminal

- Push-In technology
- Protective covers
- Cross Connectable
- Clip together



PRODUCT DESCRIPTION

TECHNICAL DATA

GENERAL DATA

Rated impulse voltage	8 kV
Colour	Grey
Contamination degree	3
Rated current	32 A
Rated voltage	800 V
Rated cross section	4 mm ²
Overvoltage category	III

DIMENSIONS

Length	32,5 mm
Width	8,1 mm
Height	35,4 mm

CONNECTION DATA

Cross connect channels	1
Cross section stranded wire to	4 mm ²

Cross section single wire from	0,5 mm ²
Connections	1
Cross section stranded wire from	0,5 mm ²
Rated wire cross section to (AWG)	10
Rated wire cross section from (AWG)	21
Cross section stranded with ferrule from	0,5 mm ²
Cross section stranded with ferrule to	4 mm ²
Stripping length	12 mm
Cross section single wire to	6 mm ²

MATERIALS

Flammability class	V-0
Operating temperature from	-40 °C
Material	Polyamide 6.6
Operating temperature to	120 °C
Insulation material	Polyamide 6.6

APPROVALS

KEMA KEUR test standard	EN 60947-7-1:2009
-------------------------	-------------------

ADDITIONAL DATA

Pack size	50
Country of origin	DE
Tariff code	85369010
Weight	5,29 g

