



DOGA - 168 SERIES

DC motor only, planetary option

168.4105.20.04

Motor 12 V dc, 0.5 Nm, 1900 rpm, 14 A, shaft E8

- 12-24Vdc
- Up to 0.75 Nm
- Up to 3000 rpm
- 79mm diameter
- High starting torque



PRODUCT DESCRIPTION

The DOGA 168 series is a range of 79mm diameter permanent magnet DC motors that are developed for a compact, low noise and cost-effective solution to suit many industrial applications. IP40 is standard, with an EMC filter option.

VOLTAGE: 12 / 24Vdc supply - ideally suited to **battery powered** and **mobile applications**.

TORQUE: >0.75Nm nominal, >3.0Nm starting – a good choice for applications requiring **high start-up power**.

SPEED: 750 - 3000rpm options.

For modest quantities DOGA can offer **product customisation** to better suit the individual needs of the customer and application. Adaptations can include changes to the output shaft, supply voltage, cabling/connectors and motor windings.

Typical applications include:

Agriculture
Building access
Care aid
Medical
Office equipment
Marine
General industrial automation

TECHNICAL DATA

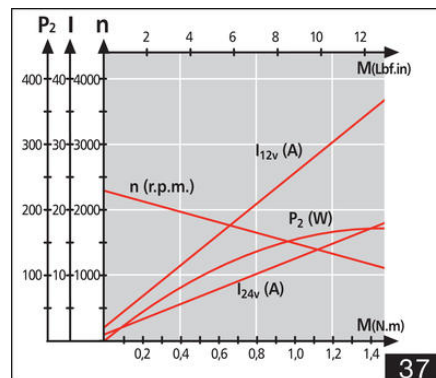
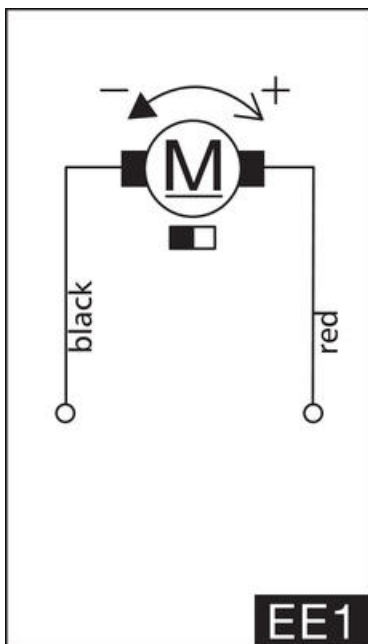
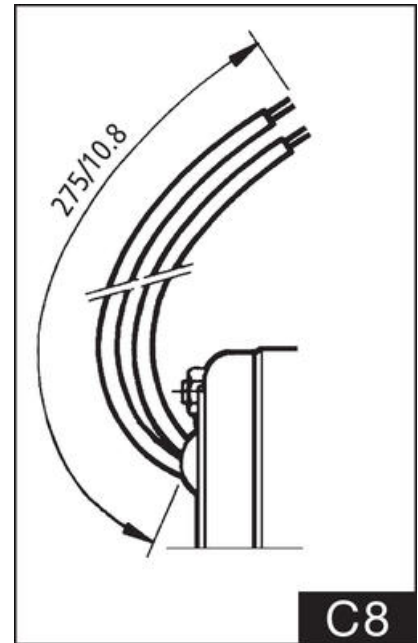
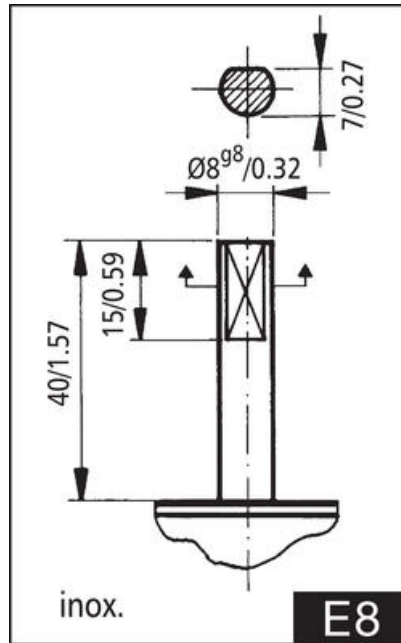
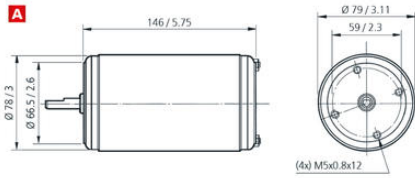
| | |
|-----------------|----------|
| Current max | 64 A |
| EMC filter | No |
| IP class | IP40 |
| Max. torque | 3 Nm |
| Nominal current | 14 A |
| Nominal speed | 1900 rpm |
| Nominal torque | 0,5 Nm |
| Shaft diameter | 8 mm |

Supply voltage

12 V DC

Weight

2,6 kg



37