

KUBLER SLIP RING SR120

SR120-020106L44002

- Modular system
- Ethernet compatible
- Transfer speed up to 100 Mbps
- Shielded metal casing



PRODUCT DESCRIPTION

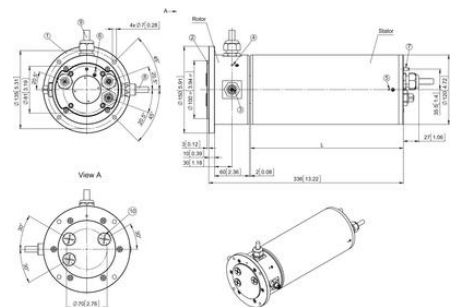
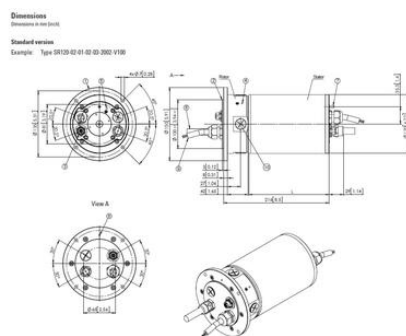
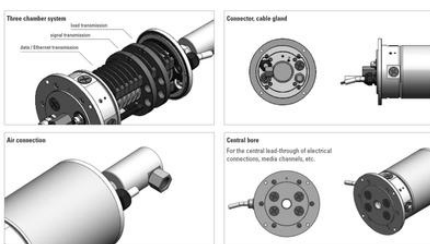
The SR120 slip ring is specially designed for applications in industrial automation and Ethernet transmission.

Thanks to its modular system, it can combine Ethernet data, power, signals, air and hydraulic transmission with up to 20 channels. With its well-developed 3-chamber system, the slip ring becomes shielded and insensitive to interference.

The house is as standard in aluminum but can also be ordered in stainless steel.

TECHNICAL DATA

IP class	IP64
Life span	50000000 revolution
Temperature operational max	85 °C
Temperature operational min	-35 °C



- | | | |
|---|--|---|
| 1 - Mounting flange | 4 - Grounding PE (optional connectivity) | 8 - 2 x [0.5M] connecting cable for load transmission |
| 2 - Connecting flange | 5 - Grounding PE (optional connectivity) | 9 - 2 x [0.5M] connecting cable for signal transmission |
| 3 - M12 female connector for air/gas (Ethernet data transmission) (D-coded) | 6 - Grounding PE (optional connectivity) | 10 - Slip ring - depending on order cable/wire connector set assembly |
| | 7 - Anti-rotating pin | |