



IDEM STANDARD TAPE DETECTOR

500003C

Belt Switch 35mm Roller Short M20 2NC 2NO 230v
LED



- Two-step operation
- 3 types of lever rollers
- Adjustable angle of operation
- 2 independent contact blocks 1NO + 1NC



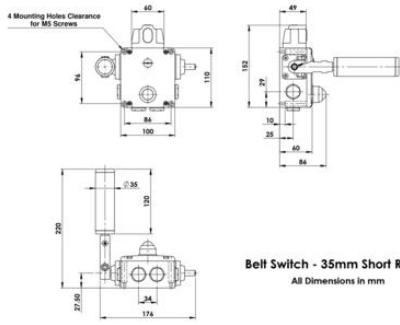
PRODUCT DESCRIPTION

The IDEM sensor range complements a wide range of cable switches used for emergency stop along conveyors. They are mounted along the conveyor belt and indicate the crookedness of the conveyor belt. We offer standard models (aluminum alloy) and made of stainless steel. Sensors are available with different roll diameters, thus ensuring a long service life even under severe operating conditions.

TECHNICAL DATA

Approvals	IEC 60947-5-1
ATEX approved	No
Conduit entry	4 x M20
Contacts	2NC 2NO
Housing material	Die cast metal
Integrated LED indication	Yes
IP class	IP67
LED supply voltage	230 V
Material contacts	Silver
Mounting	4 x M5
Operating temperature	-25°C...+80°C
Operational rating	AC15 A300 240V. 3A. / 120V. 6A. ac, 24V. 2,5A dc
Rated insulation voltage	500V

Thermal current (I_{th})	10 A
Utilisation category	AC15
Withstand voltage	2500V



Bell Switch - 35mm Short Roller
All Dimensions in mm