

## HONSBERG - HD2K SERIES FLOW SWITCH

Piston

HD2K-008GM008

- Switching Range 0,5..60 l/min
- Oil
- G¼" up to G1"
- Brass or Stainless Steel Wetted Parts
- Max Pressure 200 bar



### PRODUCT DESCRIPTION

Model HD2K is a flow switch for oil and other viscous media. It has a scale that shows where in the working range you have set the switching point. The switch can also deal with highly viscous media, which makes it highly suitable for hydraulic applications.

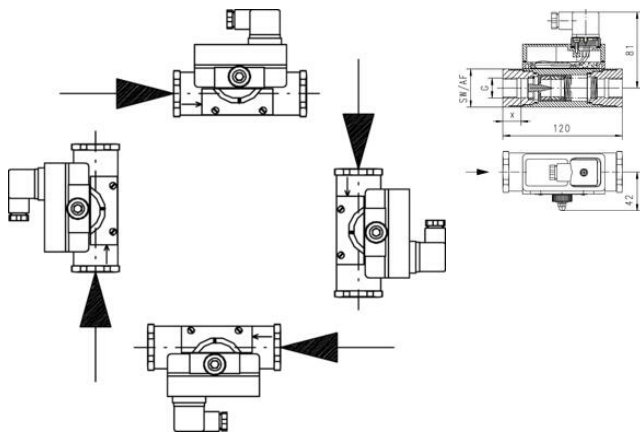
### SPECIAL VERSIONS

- Ex/ATEX version
- Version for higher pressure PN 500 bar
- Integrated flow meter
- Integrated temperature gauge

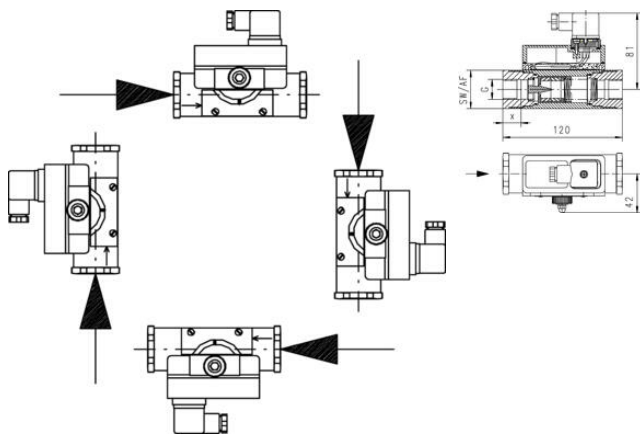
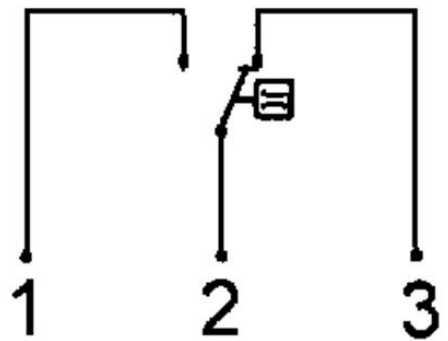
### TECHNICAL DATA

<b>Accuracy</b>	± 5% of the final value
<b>Connection type</b>	Internal thread ¼ "
<b>Contact rating max</b>	50 VA
<b>Electrical connection</b>	Plug connector DIN43650-A
<b>Flow max</b>	12 l/min
<b>Flow range max</b>	8 l/min
<b>Flow range min</b>	0,5 l/min
<b>Function</b>	Flask, reed contact, alternating
<b>Hysteresis</b>	Depending on the breakpoint, however, at least 0.5 l / min
<b>IP class</b>	IP65
<b>Material flask</b>	Brass

<b>Material of body</b>	Nickel-plated brass
<b>Material of seals</b>	NBR
<b>Material spring</b>	Stainless steel 301
<b>Pressure drop</b>	1.1-3.5 bar, depending on viscosity
<b>Pressure range max</b>	200 bar
<b>Temperature of media to</b>	120 °C
<b>Type of flow component</b>	Flow Switches
<b>Weight</b>	1,4 kg
<b>Viscosity max</b>	330 cSt
<b>Viscosity min</b>	30 cSt
<b>Voltage ac/dc max</b>	175 V



G"	AF mm brass	AF mm stainless	X mm	Weight kg
1/4	40	41	15	1,3
3/8	40	41	15	1,3
1/2	40	41	15	1,2
3/4	40	41	18	1,2
1	40	41	18	1,1



G"	AF mm brass	AF mm stainless	X mm	Weight kg
1/4	40	41	15	1,3
3/8	40	41	15	1,3
1/2	40	41	15	1,2
3/4	40	41	18	1,2
1	40	41	18	1,1

