

CROUZET SWITCHES - 83 106 DOUBLE BREAKING

83106022
831060 D/BRK W3

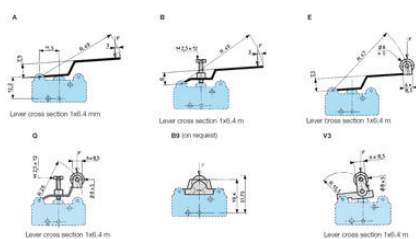
- Breaking and terminating contacts
- Spring-loaded or bistable



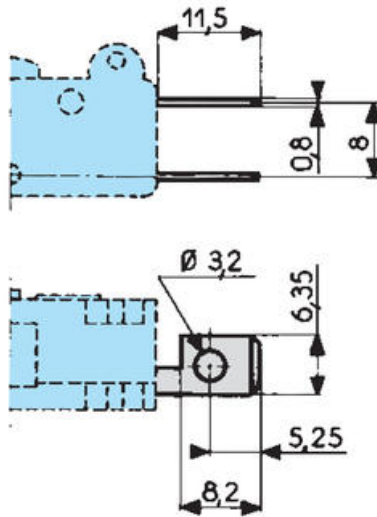
PRODUCT DESCRIPTION

TECHNICAL DATA

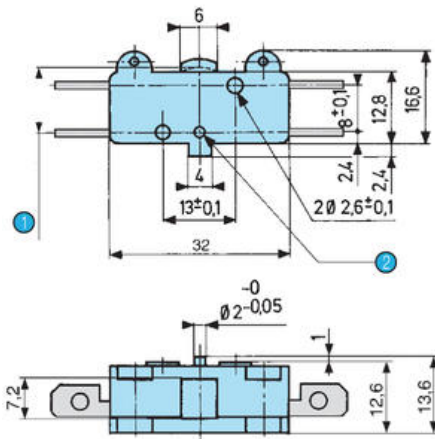
Connection	W3
Contact gap	0,4 x 2 mm
Contact type	1 x N/O, 1 x N/C
Force of the return movement min	1 N
Hysteresis max	0,7 mm
IP class	IP40
Operating force max	4 N
Overtravel min	0,7 mm
Permissible overvoltage max	20 N
Rated current at 250 V ac	5 A
Sleep max	12,75 mm
Switching point	11,45±0,2-0,25
Temperature operational max	85 °C
Temperature operational min	-40 °C
Thermal current at 250 V ac	17,5 A



W3 for 6.35 mm clips

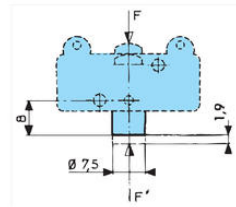


83 106

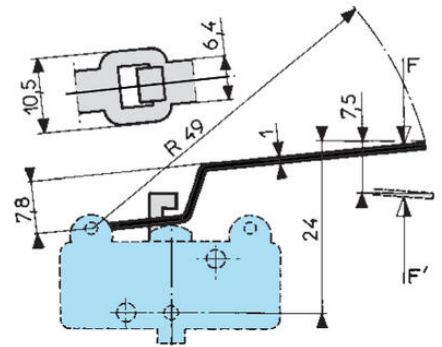


- 1 OL = 10.65
- 2 Ø 2^{+0.01 +0.05} depth 1.2

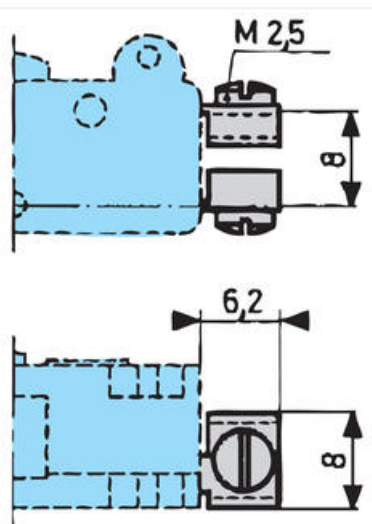
83 106 7



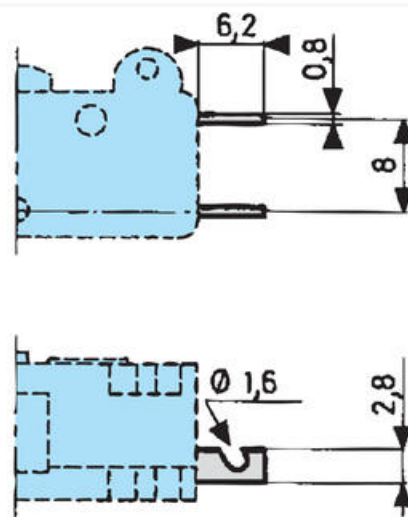
83 106 4



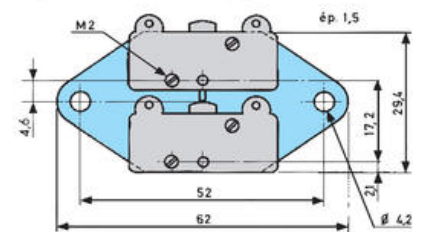
W1 screw



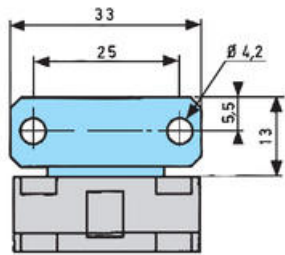
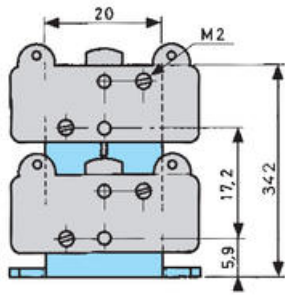
W2 solder



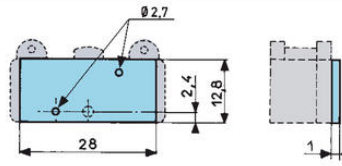
O2 2-pole side mounting plate



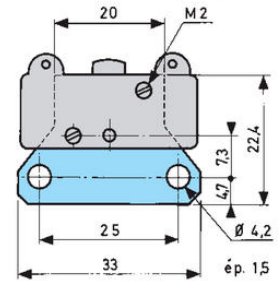
K2 (on request)
2-pole vertical mounting plate



Y (on request)
side plate



H
Horizontal single pole mounting plate



Without indication, the thickness of the plate is 1.5 mm