

CROUZET SWITCHES - 83132 DOUBLE BREAKING MINIATURE

83132030
831320 D/BRK W2

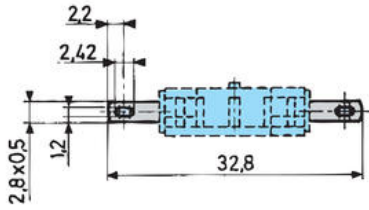
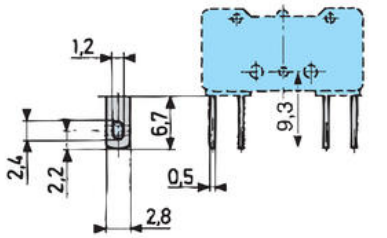
- Double breaking function/two-pole microswitch
- Connections in three different directions
- Option of actuating several switches in the same control movement



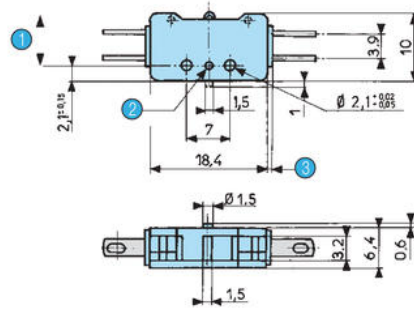
PRODUCT DESCRIPTION

TECHNICAL DATA

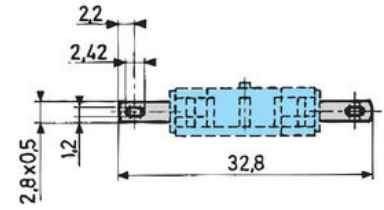
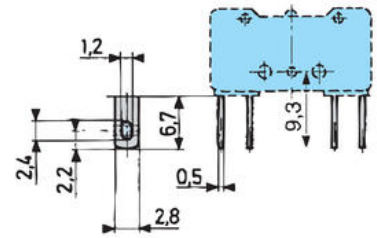
Connection	W2
Contact gap	0,3 x 2 mm
Contact type	1 x N/O, 1 x N/C
Force of the return movement min	0,4 N
Hysteresis max	0,45 mm
IP class	IP40
Operating force max	1,6 N
Overtravel min	0,27 mm
Permissible overvoltage max	10 N
Rated current at 250 V ac	6 A
Sleep max	8,45 mm
Switching point	7,7±0,2 mm
Temperature operational max	125 °C
Temperature operational min	-40 °C
Thermal current at 250 V ac	10 A



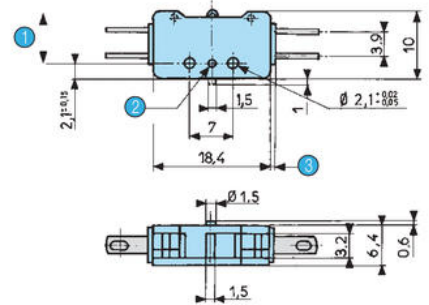
83 132 0



- 1 OL = 7.4
- 2 Ø1.5 depth 0.7
- 3 2 plates 0.8

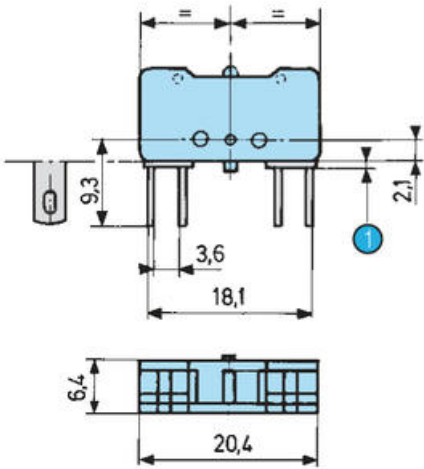


83 132 0

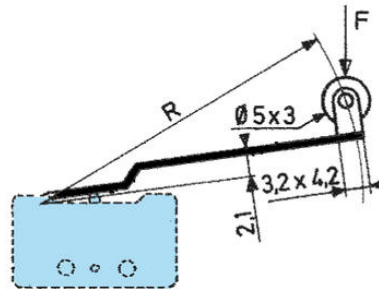


- 1 OL = 7.4
- 2 Ø1.5 depth 0.7
- 3 2 plates 0.8

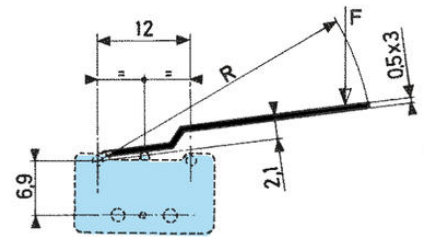
83 133 0



54E

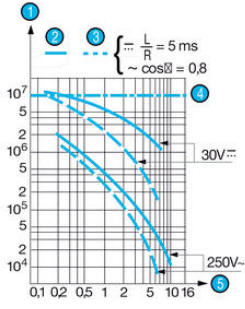


54A



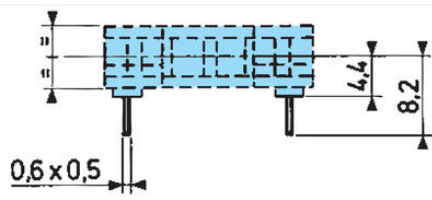
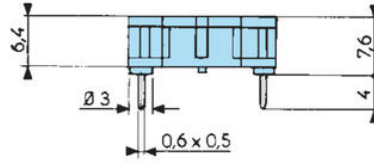
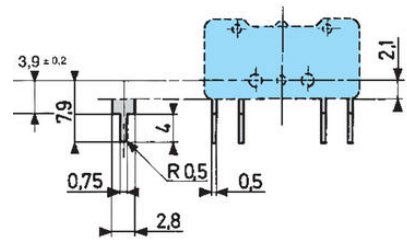
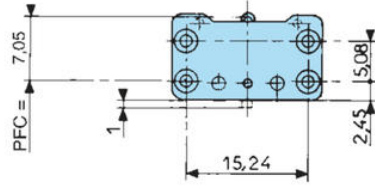
1 2 plates 0.8

Operating curve for type
83 132 0 - 83 133 0 - 83 134 0

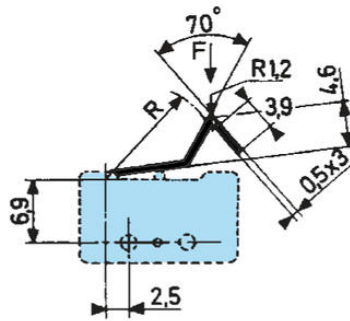


- 1 Number of cycles
- 2 Resistive load
- 3 Inductive load
- 4 Mechanical life
- 5 Current (A)

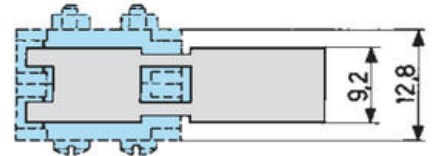
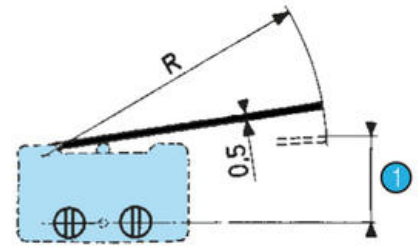
83 134 0



54B

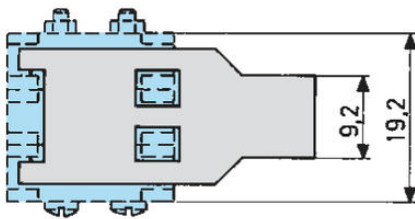


54A2

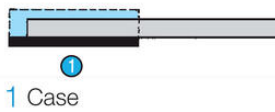


1 Switching point

54A3



For 83 132 0 och 83 133 0



For 83 134 0

