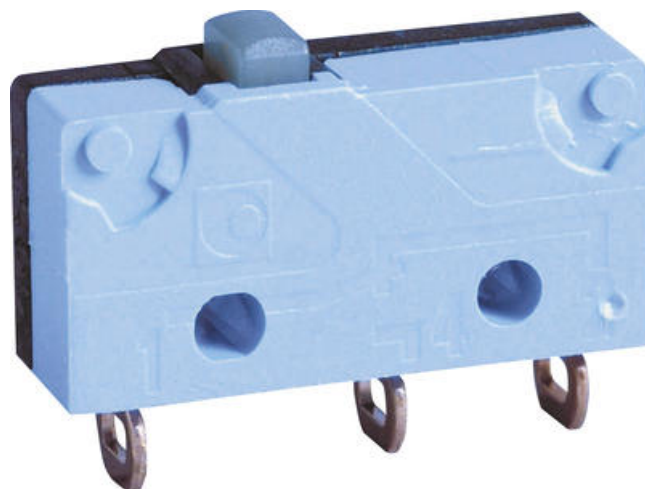


## CROUZET SWITCHES - V4

83170002

C/O W2 TERMINALS, STANDARD

- Load 0.1-10 A 250 V ac
- Minimum load 1 mA 4 V dc
- Available with sponge trigger
- Control arm can be fitted in two different positions

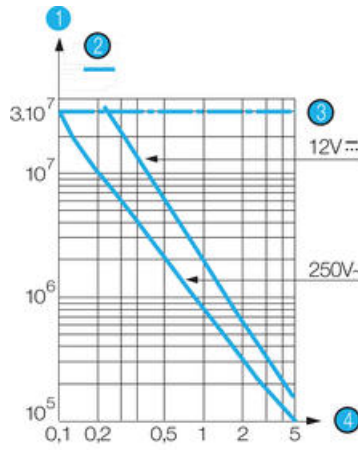
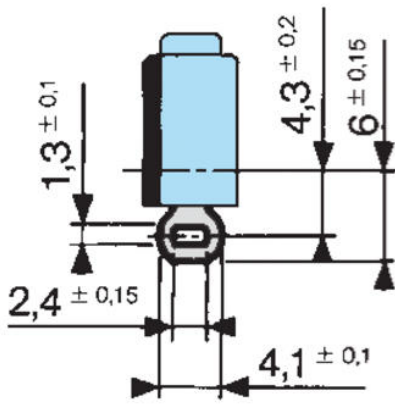


### PRODUCT DESCRIPTION

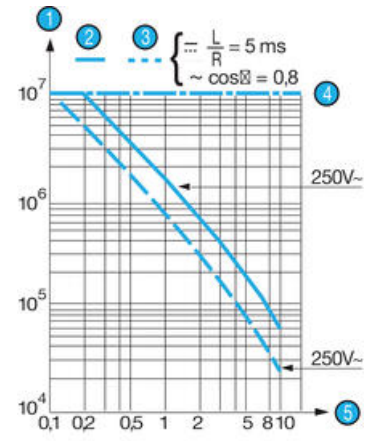
### TECHNICAL DATA

Connection	W2
Contact gap	0,4 mm
Contact type	Changeover (SPDT)
Force of the return movement min	0,3 N
Hysteresis max	0,15 mm
IP class	IP40
Operating force max	1,5 N
Operating power total max	1,8 N
Overtravel min	0,5 mm
Permissible overvoltage max	10 N
Rated current at 250 V ac	10 A
Sleep max	9,2 mm
Switching point	8,4 ±0,3 mm
Temperature operational max	125 °C
Temperature operational min	-40 °C
Thermal current at 250 V ac	12,5 A

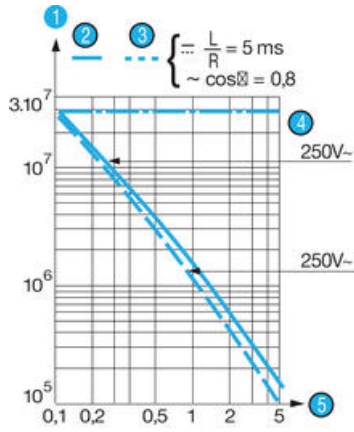
W2



- 1 Number of cycles
- 2 Resistive load
- 3 Inductive load
- 4 Mechanical life
- 5 Current (A)



- 1 Number of cycles
- 2 Resistive load
- 3 Inductive load
- 4 Mechanical life
- 5 Current (A)



- 1 Number of cycles
- 2 Resistive load
- 3 Inductive load
- 4 Mechanical life
- 5 Current (A)

### Electrical function

Partially



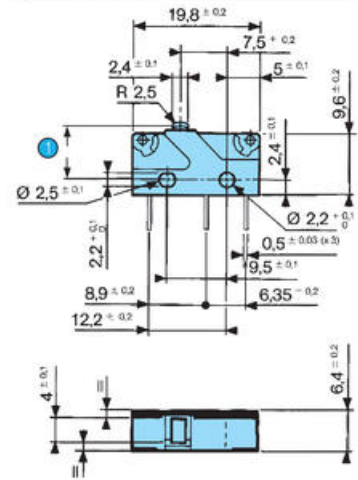
Breaking



Conclusion

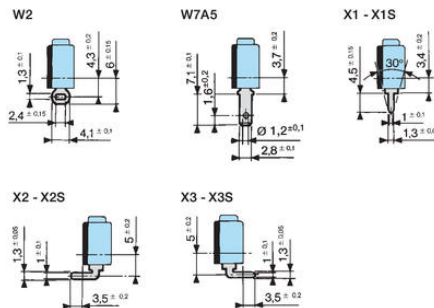
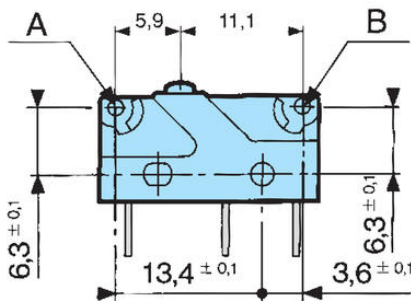


83 170  
Asymmetric version

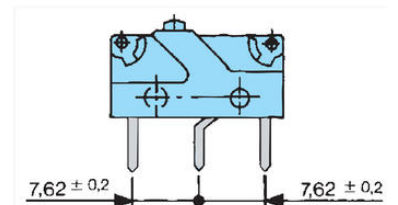


1 OL = 7.6

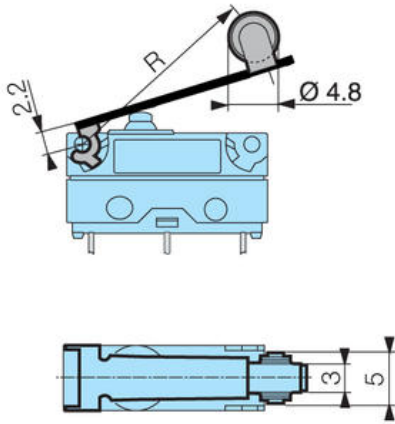
Mounted with M2 screws  
Recommended tightening torque: 2 cm daN



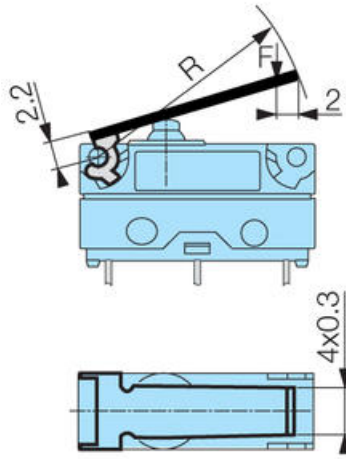
83 170 Symmetrical version



170 E  
Arm with roll



170 A  
Straight-arm



170 F  
Arm with simulated scroll

