

CROUZET SWITCHES - MICROSWITCH 83 123

83123018
 831230 C/O 0.50M



- IP66
- Extremely compact dimensions
- Supplied complete with cable and mounting plate

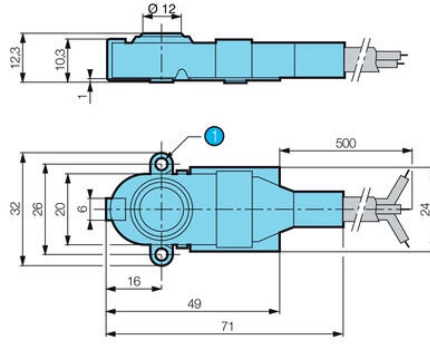
PRODUCT DESCRIPTION

TECHNICAL DATA

Cable length	500 mm
Contact gap	0,5 mm
Contact type	Changeover (SPDT)
Force of the return movement min	1,5 N
Hysteresis max	0,2 mm
IP class	IP66, IP67, IP69
Operating force max	7,5 N
Operating power total min	8 N
Overtravel min	0,25 mm
Permissible overvoltage max	30 N
Rated current at 250 V ac	5 A
Switching point	11,4 ±0,4 mm
Temperature operational max	85 °C
Temperature operational min	0 °C
Thermal current at 250 V ac	12 A
Voltage ac max	250 V



83 123 Standard



1 2 hole Ø3.2

