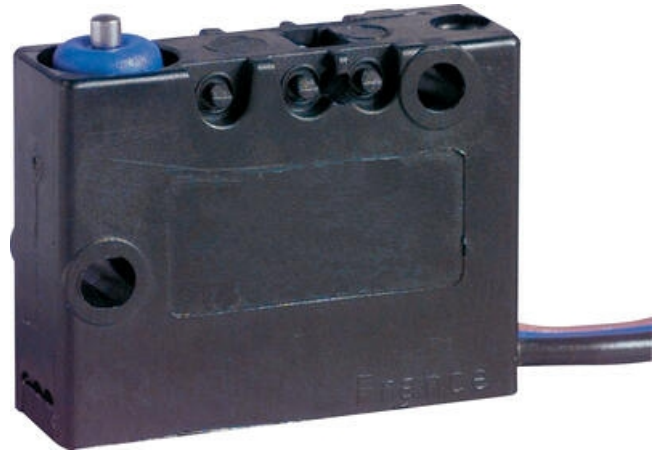


**CROUZET SWITCHES - MICROSWITCH,
TIGHT V3, IP67**

83169001

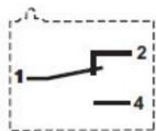
Microswitch CO 0,5m left

- Nominal rated current from 0.1 A to 10 A/250 V ac
- Lowest rated current 1 mA/4 V dc
- Cable output left or right

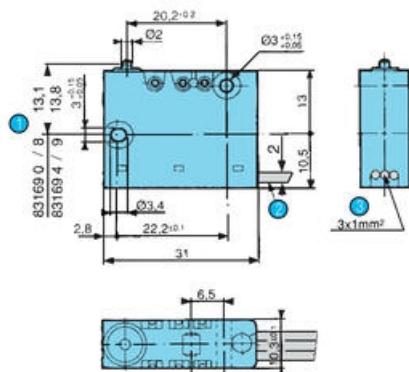
**PRODUCT DESCRIPTION****TECHNICAL DATA**

Cable length	500 mm
Connection	Leader exit left
Contact gap	0,4 mm
Contact type	Changeover (SPDT)
Force of the return movement min	1 N
Hysteresis max	0,35 mm
IP class	IP67, IP69
Operating force max	4,5 N
Operating power total max	8 N
Overtravel min	1 mm
Permissible overvoltage max	20 N
Rated current at 250 V ac	8 A
Sleep max	15,9 mm
Switching point	14,7±0,3 mm
Temperature operational max	105 °C
Temperature operational min	-40 °C
Thermal current at 250 V ac	10 A

Single break snap-action switch
Changeover - SPDT (form C)

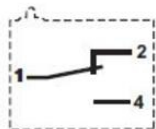


Cable outlet

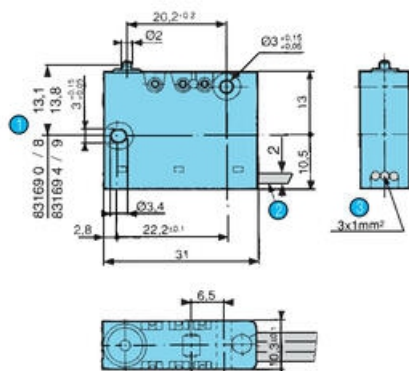


- 1 OL = 13.1
- 2 Right exit
- 3 Cable 1 mm²
 - 1 = black cable (common)
 - 2 = brown cable (NC)
 - 4 = gray cable (NO)

Single break snap-action switch
Changeover - SPDT (form C)



Cable outlet



- 1 OL = 13.1
- 2 Right exit
- 3 Cable 1 mm²
 - 1 = black cable (common)
 - 2 = brown cable (NC)
 - 4 = gray cable (NO)