



ASCO - 2/2 PULSE VALVE 3/4"-1 1/2"

SCE353A811

Solenoid pulse valve 2/2 NC 3/4" 230/50



- Currentless closed
- Thread or quick coupling
- Electric/Air controlled
- Housing in aluminium



PRODUCT DESCRIPTION

TECHNICAL DATA

GENERAL DATA

Connection	3/4 BSP
Flow factor / flow coefficient	14
IP class	IP65

MATERIAL DATA

Material body	Aluminium
Material of seals	NBR

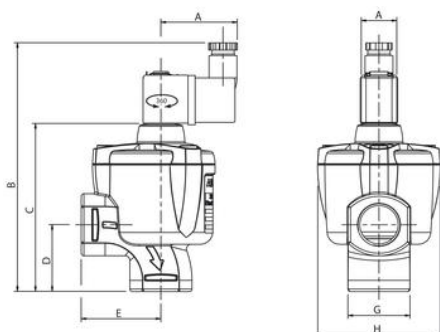
TEMPERATURE DATA

Temperature of media from	-20 °C
Temperature of media to	85 °C

ADDITIONAL DATA

Pressure max	10 bar
Weight	0,52 kg
Function 2	Normally Closed

Differential air pressure max	8,5 bar
Material short-circuit ring	Copper
Differential pressure min	0,3 bar
Temperature operational max	85 °C
Material spring	Stainless steel
Material plunger	Stainless steel
Material flask	POM
Material plunger tube	Stainless steel
Power consumption	6,3 W
Function 1	2/2
Material coil	Epoxy
Flow max	233 l/min
Temperature operational min	-20 °C
Differential pressure max	8,5 bar
Throughput	20 mm
Voltage AC	230 V



Ventil	A	B	C	D	E	F	G	H
SCE353A811	48	156	106	42	50	22	39	77
SCE353A821	48	162	112	51	62	22	46	77
SCE353A831	48	191	141	60	71	22	62	112