



## ASCO - 2/2 CRYOGENIC VALVE 1/4"- 3/4"

SCE222E002LT  
VALVE 2/2 NC 1/2" 230VAC



- Normally Closed
- Media temperature -196 °C to +90 °C
- Working pressure 0 to 9 bar
- Housing in brass



### PRODUCT DESCRIPTION

### TECHNICAL DATA

#### GENERAL DATA

Connection	1/2 BSP
Flow factor / flow coefficient	3,3
IP class	IP65

#### MATERIAL DATA

Material body	Brass
Material of seals	PTFE
Material seat	Brass

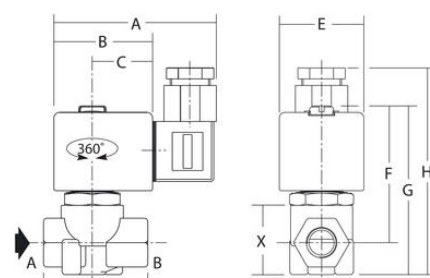
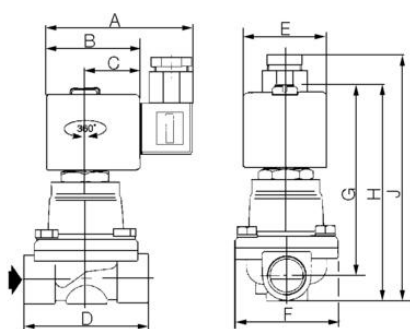
#### TEMPERATURE DATA

Temperature of media from	-196 °C
Temperature of media to	90 °C

#### ADDITIONAL DATA

Close delay	75 ms
Weight	1,1 kg
Mounting	Upright, Vertical

<b>Function 2</b>	Normally Closed
<b>Response time off</b>	100 ms
<b>Differential air pressure max</b>	9 bar
<b>Material short-circuit ring</b>	Copper
<b>Differential pressure min</b>	0 bar
<b>Temperature operational max</b>	50 °C
<b>Material spring</b>	Stainless steel
<b>Material piston ring</b>	PTFE flask filled
<b>Material plunger</b>	Stainless steel
<b>Material flask</b>	Brass
<b>Material plunger tube</b>	Stainless steel
<b>Power consumption</b>	16,7 W
<b>Function 1</b>	2/2
<b>Type of valve</b>	Solenoid valve
<b>Flow max</b>	55 l/min
<b>Temperature operational min</b>	-20 °C
<b>Differential pressure max</b>	9 bar
<b>Material piston rod seal</b>	PTFE
<b>Throughput</b>	16 mm
<b>Voltage AC</b>	230 V



Ventil	A	B	C	D	E	F	G	H	J
SCE222E002LT	80	50	30	70	45	59	104	118	131
SCE222F003LT	80	50	30	70	45	59	108	124	137

